



K-127 8" SWING SPOUT DECK MOUNT FAUCET

Conforms To NSF 61/9 Lead Free Requirements



8" O.C.

FAUCET AERATOR CONFORM TO
ASTM.A112.18.1M • 2.2 GPM/8.3 LPM
THREAD: 55/64 - 27 FEMALE

Item #: _____ Qty #: _____

Model #: _____

Project #: _____

FEATURES:

- 8" swing spout.
- 8" O.C. water supply.
- Quarter-turn wedge style handles.
- Colored hot & cold Indexes.
- 2.2 GPM/8.3 LPM Aerator. 60 PSI.

MATERIAL:

- Brass chrome plated body & spout.
- Chrome plated handles.



BOTTOM VIEW
1/2" NPS (OUTSIDE THREAD)
3/8" NPT (INSIDE THREAD)



Click This Link To View Assembly Sheet

Options & Accessories

12" Replacement
Swing Spout
K-127SP



Replacement Cartridges
K-07 (Set)



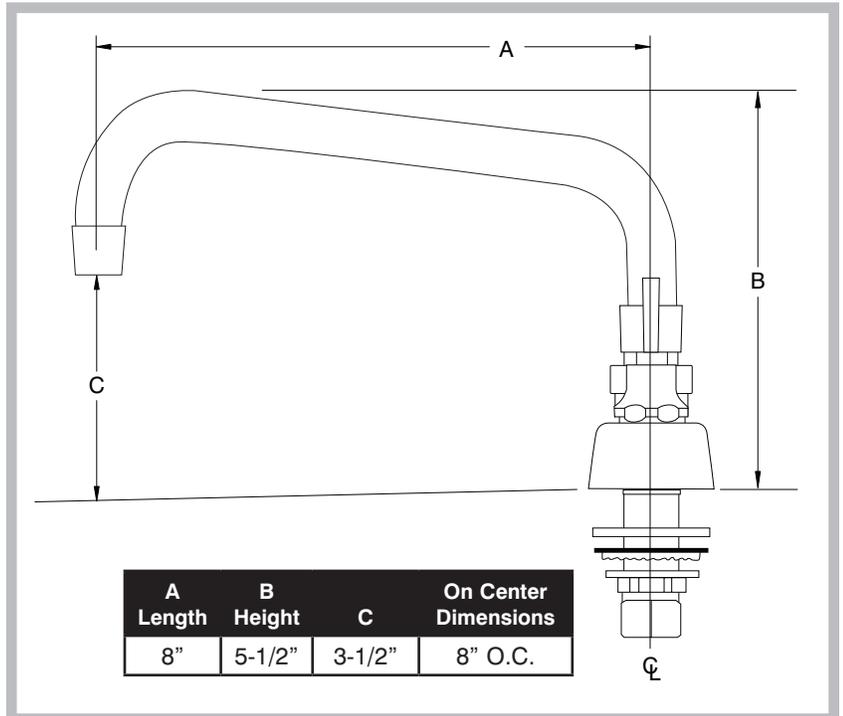
Faucet Mounting Kit
K-06



Wrist Handles
K-416-LU (Set)



DIMENSIONS and SPECIFICATIONS



WARNING: Faucets on this page may expose you to chemicals, including lead, that are known to the State of California to cause cancer or birth defects or other reproductive harm. For more Info, visit www.p65warnings.ca.gov.



Customer Service Available To Assist You **1-800-645-3166** 8:30 am - 7:00 pm E.S.T.

For Orders & Customer Service:
Email: customer@advancetabco.com or Fax: 631-242-6900

For Smart Fabrication™ Quotes:
Email: smartfab@advancetabco.com or Fax: 631-586-2933