

"EES8" EQUIPMENT STANDS

18GA Stainless Steel Top w/Galvanized Base & Shelf

FEATURES:

- 18GA Type 430 Stainless Steel Top With #4 Polish, Satin Finish
- 1-1/2" Stallion Edge On Front. Turned Up Back And Both Sides
- Top Frame Is Reinforced By A Full Frame Fabricated Of 1-1/2" Square O.D. Tube 16GA Galvanized Steel
- Galvanized Steel Base
- Shipped Knocked-Down, Easy-To-Assemble

SPECIFICATIONS:

- Top: Stainless Steel Tops Are TIG Welded, Exposed Welds Are Polished To Match Adjacent Surface
- Top: 18GA Stainless Steel Type 430 Stainless Steel With #4 Polish, Satin Finish
- Shelf: 18GA Galvanized Steel
- Legs: 1-5/8" Round O.D. 16GA Tubular Galvanized Steel
- Gussets: Galvanized Steel
- Feet: 1" Adjustable Plastic Bullet Feet



EES8-3048

CERTIFICATIONS:



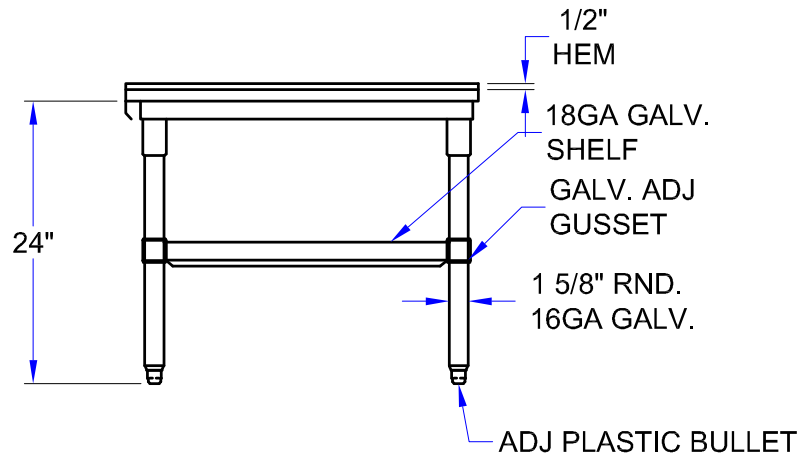
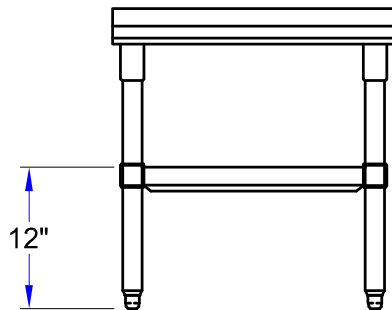
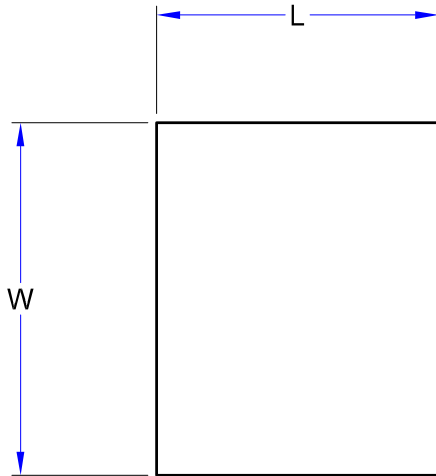
"EES8" EQUIPMENT STANDS

MODEL	SIZE (L X W X H)	WEIGHT (LBS)
EES8-3015	15"x30"x24"	25
EES8-3018	18"x30"x24"	29
EES8-3024	24"x30"x24"	38
EES8-3036	36"x30"x24"	56
EES8-3048	48"x30"x24"	69
EES8-3060	60"x30"x24"	82
EES8-3072	72"x30"x24"	94

***NOTE: 3 SETS OF LEGS. WEIGHTS ARE SUBJECT TO ADDITIONAL PACKAGING**

ALL DIMENSIONS ARE TYPICAL. TOLERANCE +/- .500". JOHN BOOS & CO. RESERVES THE RIGHT TO CHANGE SPECIFICATIONS WITHOUT NOTICE.

DETAILED SPECIFICATIONS



"EES8" EQUIPMENT STANDS

MODEL	SIZE (L X W X H)	WEIGHT (LBS)
EES8-3015	15"x30"x24"	25
EES8-3018	18"x30"x24"	29
EES8-3024	24"x30"x24"	38
EES8-3036	36"x30"x24"	56
EES8-3048	48"x30"x24"	69
EES8-3060	60"x30"x24"	82
EES8-3072	72"x30"x24"	94

***NOTE: 3 SETS OF LEGS. WEIGHTS ARE SUBJECT TO ADDITIONAL PACKAGING**

ALL DIMENSIONS ARE TYPICAL. TOLERANCE +/- .500". JOHN BOOS & CO. RESERVES THE RIGHT TO CHANGE SPECIFICATIONS WITHOUT NOTICE.