



Project _____

Item # _____

Quantity _____

Product Heated Shelves

Models: PDH-55T
PSH-55D

Perfect for sliced pizza sales on the bottom, and boxed carry-out pizzas on the top. Durable stainless steel construction with blanket elements on all shelf bases make for easy cleaning. The bottom, three shelf PDH-55T has energy efficient LED lights to showcase food to customers and encouraging impulse sales. The top dual shelf PSH-55D holds the carry-out orders.

Standard features

Product Display Heated Shelves - PDH-55T

(bottom three-shelf unit)

- Holds up to nine, 18" diameter pizzas
- Base and overhead heat for consistent and accurate holding of unwrapped pizzas for impulse sales
- Front glass for easy viewing by the customer
- Single on/off switch to control temperature for all shelves
- Side panel glass swings out for easy cleaning

Product Storage Heated Shelves - PSH-55D

(top two-shelf unit)

- Enclosed except for operator side, with base heat only, for boxed carry out sales
- Single on/off switch to control temperature for all shelves
- Customer side can be used for magnetic signage (signs not included)
- Brackets and cord clips included to attach to the top of the PDH-55T



*Operator side shown
PSH-55D top unit
PDH-55T bottom unit with
optional front glass panels*



*Customer side shown
PSH-55D top unit
PDH-55T bottom unit with
optional front glass panels*

Options (available at time of purchase only)

- Glass Panels on customer side on PDH-55T only

For operation, location and safety information, please refer to the Installation and Operating Manual.



HATCO CORPORATION | P.O. Box 340500 Milwaukee, WI 53234-0500 U.S.A. | (800) 558-0607 | (414) 671-6350



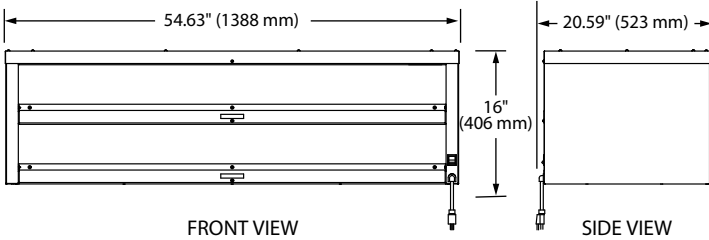
www.hatcocorp.com | support@hatcocorp.com | [Find a Hatco Rep](#) | [Image Library](#) | [Document Library](#) | [Patents](#) | [Chat](#)



Product Heated Shelves

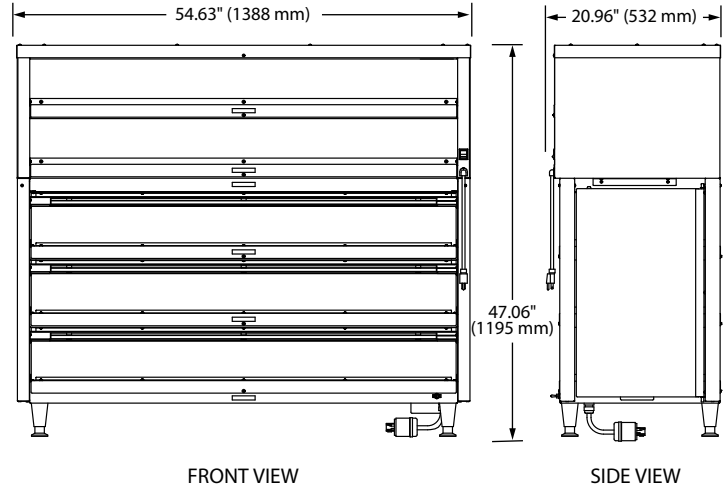
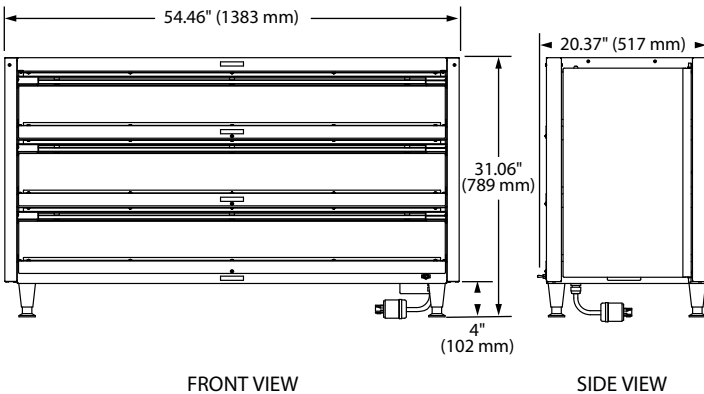
Models: PDH-55T, PSH-55D

PSH-55D



PDH-55T AND PSH-55D

PDH-55T



SPECIFICATIONS

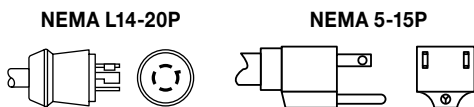
Models	Dimensions (W x D x H)	Usable Heated Shelf Space (W x D)	Volts	Watts	Amps	Plug	Shipping Weight
PDH-55T	54.46" x 20.07" x 31.06" (1383 x 510 x 789 mm)	51.49" x 18.83" (1308 x 478 mm)	120/208-240	4100	17.5	NEMA L14-20P [▲]	168 lbs. (76 kg)
PSH-55D	54.63" x 20" x 16" (1388 x 508 x 406 mm)	51.49" x 18.77" (1308 x 477 mm)	120	300	2.54	NEMA 5-15P	193 lbs. (88 kg)

[▲] Canadian models use NEMA 14-30 or NEMA L14-30.

CORD LOCATION

Cord Location: PSH-55D: Server side, bottom right
 PDH-55T: Server side, bottom right on base.

PLUG CONFIGURATIONS



PRODUCT SPECS Product Heated Shelves

These Product Heated Shelves shall be a Glo-Ray[®] Model ... rated at ... volts and ... watts, as manufactured by the Hatco Corporation, Milwaukee, WI 53234 U.S.A.

The shelves shall have ... stainless steel construction with blanket base heated shelves only on the PSH-55D and additional overhead blanket elements on the PDH-55T. Tempered glass sides on the PDH-55T, hardcoated shelves, and

4" (102 mm) legs on the PDH-55T. Each unit shall include a temperature control, an On/Off switch and a factory-attached 6' (1829 mm) cord with plug.

Accessory: front customer glass panel on PDH-55T only.

Warranty consists of 24/7 parts and service assistance (U.S. and Canada only).

HATCO CORPORATION | P.O. Box 340500 Milwaukee, WI 53234-0500 U.S.A. | (800) 558-0607 | (414) 671-6350



www.hatcocorp.com | support@hatcocorp.com | [Find a Hatco Rep](#) | [Image Library](#) | [Document Library](#) | [Patents](#) | [Chat](#)