



# BB300

## Blade Series 1.5 HP Blender with Toggle Switch Controls and 48 oz. Copolyester Container



### MAIN FEATURES

- Powerful, 1.5 HP commercial motor with 2 speeds and PULSE function
- Easy-to-use toggle switch controls with HIGH, LOW, OFF and PULSE
- One-piece, 48 oz., BPA-free copolyester jar with industrial steel blade, stackable for convenient storage
- Removable, rubberized jar pad dampens sound and makes cleanup easy
- Blend three, 16 oz. margaritas in 12 seconds
- Recommended for 25–49 drinks per day
- Limited two-year warranty

### ELECTRICAL

Voltage: 120

Frequency: 60Hz

Watts: 820

Amps: 6.8

Plug Type: NEMA 5-15P

Cord Length: 6 feet



### SALES FEATURES

The Waring® BB300 Blade Series 1.5 HP Blender has you covered when your bar is busiest. Make three, 16 oz. margaritas in 12 seconds or less! Its 2-speed, powerful, 1.5 HP motor features easy-to-use toggle switch controls. A removable, rubberized jar pad dampens sound and makes wipe-down cleanup easy. A stackable, 48 oz. copolyester jar makes storage a snap.

Blade Series 1.5 HP Blender with Toggle Switch Controls & 48 oz. Copolyester Container

BB300



@waringproducts

©2026 Waring

314 Ella T. Grasso Avenue, Torrington, CT 06790  
Tel. 800-492-7464 • Fax 860-496-9008

waring.com



# Blade Series 1.5 HP Blender with Toggle Switch Controls and 48 oz. Copolyester Container BB300

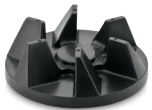
## PARTS & ACCESSORIES



**CAC132** 48 oz. Copolyester Blender Container



**CAC138** 48 oz. Stainless Steel Blender Container



**CAC137** Clutch Repair Kit (12 pack)



**CAC141** Blending Assembly

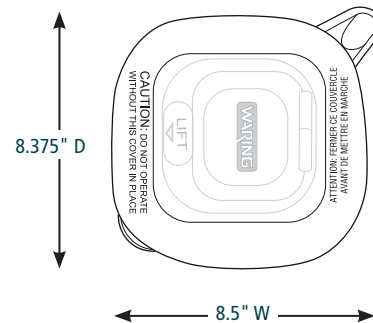
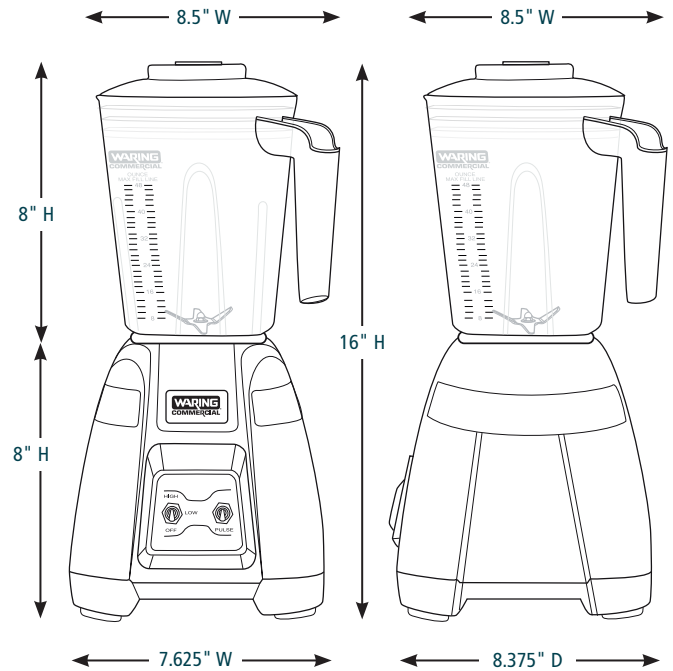


**CAC142** Blender Lid



**CAC143** Jar Pad

## DIMENSIONS



Out of Box Weight: 7.4 lb.

ORDERING INFORMATION	#STD. PKG.	GIFTBOX WEIGHT	CUBIC FEET	BOX DIMENSIONS D x W x H	UPC	CASE PKG.	MC WEIGHT	MC DIMENSIONS D x W x H	MBC
BB300 – Toggle Switch Controls with 48 oz. Copolyester Container	1	9.65	.89	10.12" x 10.12" x 15.1"	040072035210	2	20.6	21" x 10.6" x 16.1"	10040072035217



@waringproducts

©2026 Waring  
314 Ella T. Grasso Avenue, Torrington, CT 06790  
Tel. 800-492-7464 • Fax 860-496-9008

waring.com

26WC300231 / REV 05/26