

# 6690-C

## FROZEN BEVERAGE FREEZER

Single flavor, Countertop, Gravity feed



### Powerful & Versatile

High capacity single flavor counter model for frozen beverage and milkshakes

#### Fast Freeze Down

Patented high efficiency heat exchanger allows fast freeze down with low energy consumption

#### Simple Control, Easy Operation

Simple and intuitive control system makes operation and viscosity adjustment easy, swift and more precise

#### Low Mix Indicator

Light turns "ON" at low mix to alert operator to add mix

#### See-through Dispensing Door

Clear dispensing door design makes product more attractive and serves as great marketing tool

#### Standby & Indicator

Maintains product temperature in both mix hopper and freezing cylinder below 4.4°C (40°F) overnight; Indicator lights up during Standby

Higher capacity solution with greater flexibility to serve larger crowds alcoholic & non-alcoholic frozen drinks including milkshakes



### Hopper Agitator

Maintain product consistency and prevent product separation

### Self-closing Dispensing Valve

Automatically prevents product overflow after dispense

### Safety Protections

- High pressure switch to prevent compressor overheating
- Thermal overload to protect from motor overheating

### Light Box (Optional)

- Illuminates flavor cards to attract more business
- Changes color to indicate Low Mix and Standby

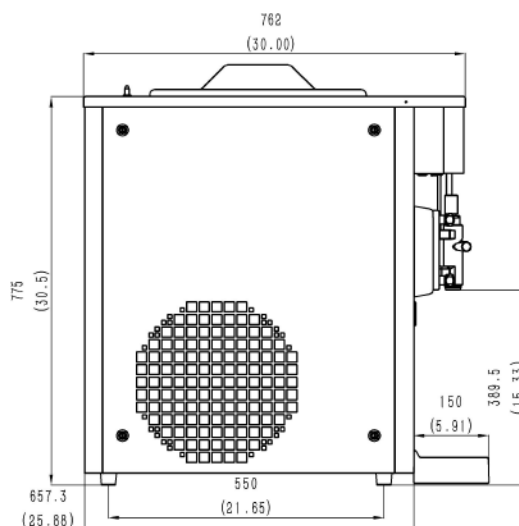
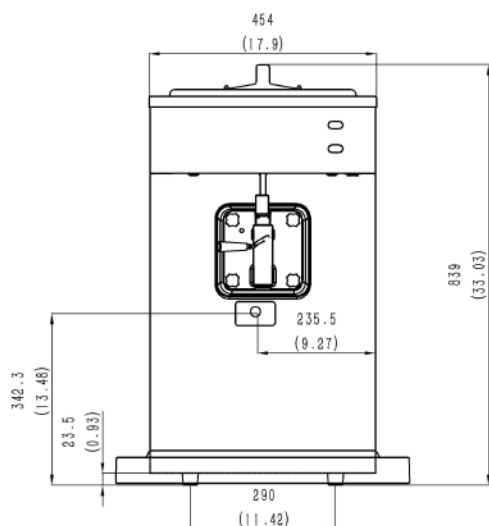
### One-hand Operated Spinner (Optional)

- Adds ability to blend and offer more varieties of treats
- Allows for multi-tasking one-hand operation that helps increase productivity and reduce serving time



# 6690-C

## FROZEN BEVERAGE FREEZER



### SPECIFICATIONS

Flavors	1
Freezing Cylinders	1x 6.9L / 7.3qt
Mix Hoppers	1x 25L / 26.4qt
Output Capacity (250ml)	240 serves/hr
Clearance Requirements	152mm/6" on left

### Weight Kg/lb

Net	138 / 307
Shipping	151 / 336
Volume	0.51 CBM / 17.87 CBF

### Dimensions Net (mm/in) Shipping (mm/in)

Width	454 / 17.9	600 / 23.6
Depth	657 / 25.9	860 / 33.9
Height	839 / 33.0	980 / 38.6

### Electrical MFS MCA Power(kW)

220-240/50/1	20	13	2.0
208-230/60/1	20	15	2.2

### FEATURES

Control System	One, Mechanical
Refrigerated Hopper	✓
Hopper Agitator	✓
Standby Mode	✓
Auto Closing Dispensing Valve	✓
Low Mix Indicator Light	✓
Low Mix Indicator Alarm	✓
Standby Mode	✓
Standby Indicator Light	✓
High Pressure Protection	✓
Thermal Overload Protection	✓

### AVAILABLE OPTIONS

Top Air Discharge Chute	✓
Spinner	✓
Light Box	✓

• Above specifications are subject to change without notice