

T&S BRASS AND BRONZE WORKS, INC.

2 Saddleback Cove / P.O. Box 1088
Travelers Rest, SC 29690

Model No.

B-0667-POL

Item No.

Travelers Rest, SC: 800-476-4103 • Simi Valley, CA: 800-423-0150 • Fax: 864-834-3518 • www.tsbrass.com



ADA Compliant

This Space for Architect/Engineer Approval

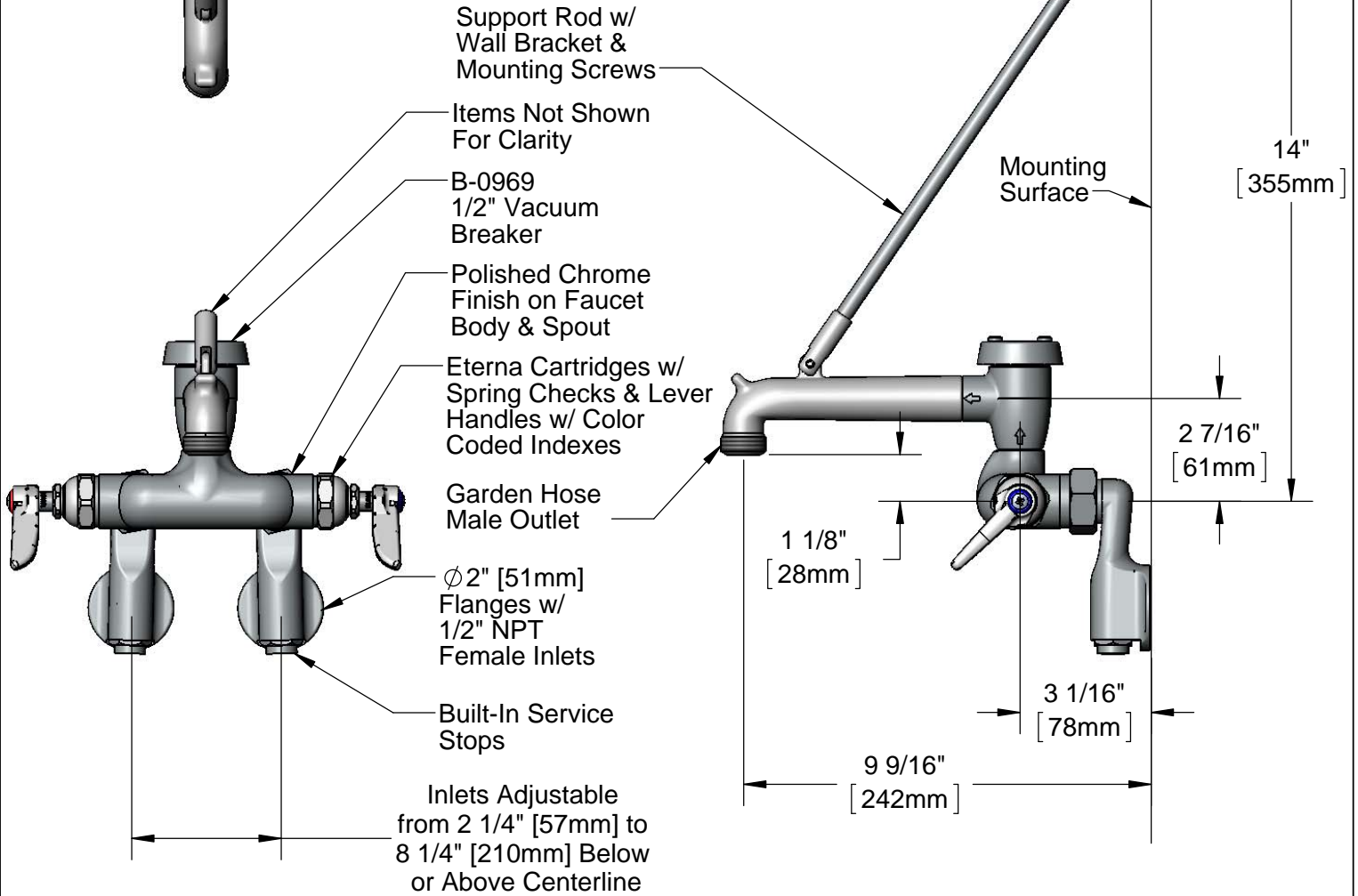
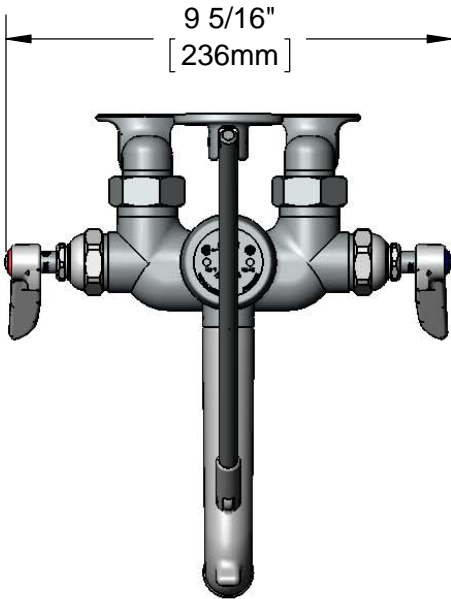
Job Name _____ Date _____

Model Specified _____ Quantity _____

Customer/Wholesaler _____

Contractor _____

Architect/Engineer _____



Product Specifications:

8" Wall Mount Service Sink Faucet, Eterna Cartridges w/ Spring Checks, Lever Handles, Upper Support Rod, Garden Hose Male Outlet, Polish Chrome Finish, 1/2" NPT Vacuum Breaker, Built-In Stops & 1/2" NPT Female Inlets

Product Compliance:

ASME A112.18.1 / CSA B125.1
NSF 61 Exempt (Non-Potable)
ANSI A117.1 (ADA)
ASSE 1001 (VB)



T&S BRASS AND BRONZE WORKS, INC.

2 Saddleback Cove / P.O. Box 1088
Travelers Rest, SC 29690

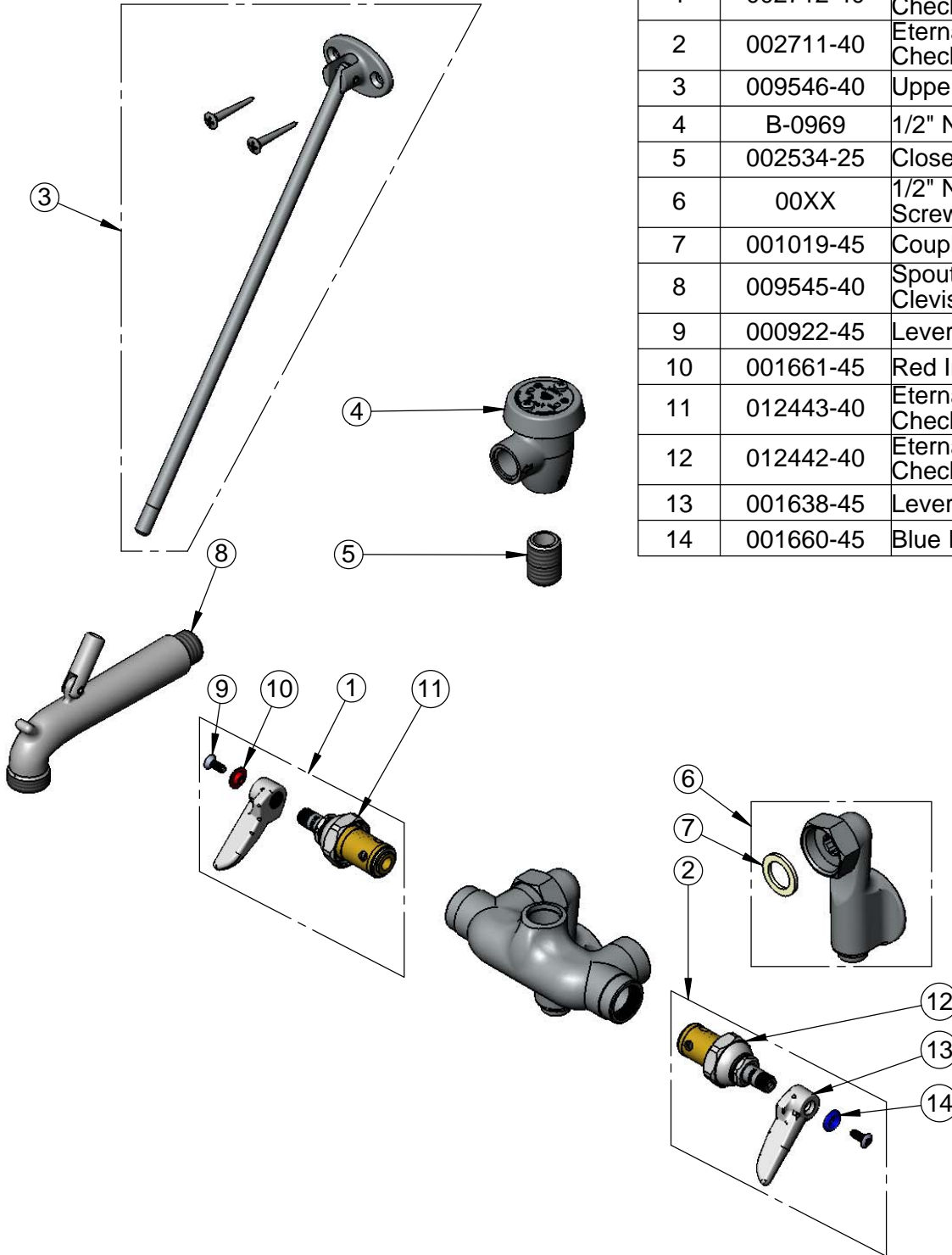
Model No.

B-0667-POL

Item No.

Travelers Rest, SC: 800-476-4103 • Simi Valley, CA: 800-423-0150 • Fax: 864-834-3518 • www.tsbrass.com

ITEM	SALES NO.	DESCRIPTION
1	002712-40	Eterna Cartridge, RTC w/ Spring Check, Handle, Index & Screw
2	002711-40	Eterna Cartridge, LTC w/ Spring Check, Handle, Index & Screw
3	009546-40	Upper Support Rod
4	B-0969	1/2" NPT Vacuum Breaker
5	002534-25	Close Nipple, 1/2" NPT
6	00XX	1/2" NPT Fem. Adj. Arm Inlet w/ Screwdriver Stop
7	001019-45	Coupling Nut Washer
8	009545-40	Spout w/ Male GH Outlet & Upper Clevis - Polish Chrome
9	000922-45	Lever Handle Screw
10	001661-45	Red Index-HW
11	012443-40	Eterna Cartridge, RTC w/ Spring Check
12	012442-40	Eterna Cartridge, LTC w/ Spring Check
13	001638-45	Lever Handle
14	001660-45	Blue Index-CW



Product Specifications:

8" Wall Mount Service Sink Faucet, Eterna Cartridges w/ Spring Checks, Lever Handles, Upper Support Rod, Garden Hose Male Outlet, Polish Chrome Finish, 1/2" NPT Vacuum Breaker, Built-In Stops & 1/2" NPT Female Inlets

Product Compliance:

ASME A112.18.1 / CSA B125.1
NSF 61 Exempt (Non-Potable)
ANSI A117.1 (ADA)
ASSE 1001 (VB)