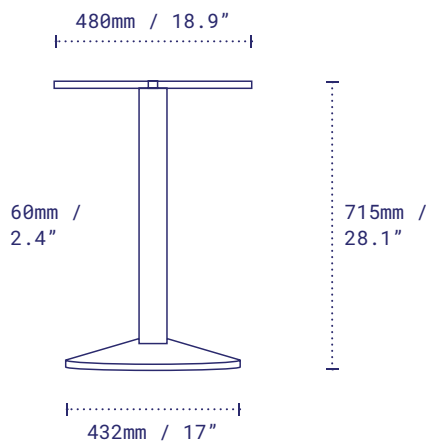


B17DISCNR-STD : DINING HEIGHT



Sol is your go-to for maximising space. Our neat cone-shaped disc base allows for our self-stabilising technology to sit under the column, like our x-bases, and then run seamlessly flush to the ground at the feet.

Pictured: Sol 17 Dining Height, Sandstone Black.

## DETAILS

Material	Steel – Zinc Phosphate Disc and Column, Alodine Top Plate
Next-Level Protection	Available on Request
Height excl. table top	715mm / 28.1"
Base diameter	432mm / 17"
Column width	60mm - 2.4"
Top plate	Fixed
Net weight	9.1kg / 20.1lbs
Max recommended table top	<input type="radio"/> 800mm / 32" <input type="checkbox"/> 700mm / 28"
Resources	<a href="https://no-rock.com/product/sol1">no-rock.com/product/sol1</a>

## PACKAGING

Carton	530 x 640 x 100mm / 20.8 x 25.2 x 3.9" x Box 1
--------	------------------------------------------------------

Gross weight 10.6kg / 23.4lbs

## STANDARD COLOR RANGE

Sandstone Black

