



| | | | | |
|--------------|-----|----------|-------|-------|
| PROJECT NAME | | LOCATION | | AIA # |
| ITEM # | QTY | MODEL # | SIS # | |

SPEC SERIES®

REACH-IN SOLID HALF SWING DOOR REFRIGERATORS WITH HYDROCARBON REFRIGERANT

| models | STR3R-6HS-HC | STA3R-6HS-HC | STG3R-6HS-HC |
|--------|--------------|--------------|--------------|
|--------|--------------|--------------|--------------|

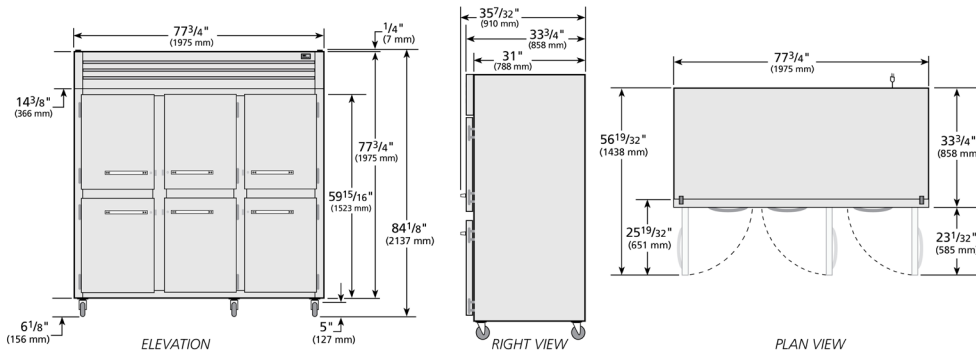


| STR3R-6HS-HC | |
|-----------------|---|
| Exterior | Stainless steel door, front & sides. |
| Interior | Stainless steel side walls, back, floor, door liner, & ceiling. |
| Shelving | (1) Interior kit option included per full section. |

| STA3R-6HS-HC | |
|-----------------|---|
| Exterior | Stainless steel doors, front & sides. |
| Interior | Aluminum side walls & back. Stainless steel floor & ceiling. |
| Shelving | (3) Heavy duty, chrome plated, wire shelves per section. |

| STG3R-6HS-HC | |
|-----------------|---|
| Exterior | Stainless steel doors, with matching aluminum sides. |
| Interior | Aluminum side walls & back. Stainless steel floor & ceiling. |
| Shelving | (3) Heavy duty, PVC coated, wire shelves per section. |

plan view



SPECIFICATIONS

| Dimensions | in. | mm. |
|-------------|----------|---------------|
| Length | 77 3/4" | 1975 |
| Depth | 33 3/4" | 858 |
| Height | 77 3/4" | 1975 |
| Electrical | U.S. | International |
| Horsepower | 1/4 | N/A |
| Amps | 6.1 | N/A |
| Voltage | 115/60/1 | |
| NEMA | 5-15P | |
| Cord Length | 9 ft. | 2.74 M. |



* Height does not include 6 1/8" (156 mm) for castors or 6" (153 mm) for optional legs.
 † Depth does not include 1 1/2" for door handle.

Specifications subject to change without notice.
 Chart dimensions are rounded up to the nearest 1/8" (millimeters rounded up to the next whole number).



| | | |
|--------------|----------|---------|
| PROJECT NAME | LOCATION | AIA # |
| ITEM # | QTY | MODEL # |
| | | SIS # |

SPEC SERIES®

REACH-IN SOLID HALF SWING DOOR REFRIGERATORS WITH HYDROCARBON REFRIGERANT

| | | | |
|--------|--------------|--------------|--------------|
| models | STR3R-6HS-HC | STA3R-6HS-HC | STG3R-6HS-HC |
|--------|--------------|--------------|--------------|



standard features

REFRIGERATION SYSTEM

- Factory engineered, self-contained, capillary tube system using environmentally friendly R290 hydrocarbon refrigerant that has zero (0) ozone depletion potential (ODP), & three (3) global warming potential (GWP).
- High capacity, factory balanced refrigeration system that maintains cabinet temperatures of 33°F to 38°F (.5°C to 3.3°C) for the best in food preservation.
- State of the art, electronically commutated evaporator and condenser fan motors. ECM motors operate at higher peak efficiencies and move a more consistent volume of air which produces less heat, reduces energy consumption and provides greater motor reliability.
- Top mounted refrigeration system with evaporator positioned out of food zone to maximize capacity.
- Electronic control.

CABINET CONSTRUCTION

- Insulation - entire cabinet structure and solid door are foamed-in-place using a high density, polyurethane insulation that has zero ozone depletion potential (ODP) and zero global warming potential (GWP).
- 5" (127 mm) diameter plate castors - locks provided on front set.

DOORS

- Lifetime guaranteed bolt style door locks.

- Lifetime guaranteed heavy duty all metal working door handles.
- Positive seal self-closing doors with 120° stay open feature. Lifetime guaranteed external cam lift door hinges, four (4) per door section.
- Magnetic door gaskets of one piece construction, removable without tools for ease of cleaning.

LIGHTING

- LED interior lighting, safety shielded.

MODEL FEATURES

- Exterior digital temperature display, available with either °F or °C .
- Evaporator epoxy coated to eliminate the potential of corrosion.
- Curb mounting ready.
- NSF/ANSI Standard 7 compliant for open food product.

ELECTRICAL

- Unit completely pre-wired at factory and ready for final connection to a 115/60/1 phase, 15 amp dedicated outlet. Cord and plug set included.

OPTIONAL FEATURES/ ACCESSORIES

(upcharge & lead times may apply)

- 6" (153 mm) standard legs.
- 6" (153 mm) seismic/flanged legs.
- 6" (153 mm) stainless steel legs.
- Additional shelves.
- Stainless back. (STR, STA, STG)

SHELVING KIT OPTIONS

- STR series kits factory installed at no charge. STA & STG series kits field installed, upcharge applies, lead times may apply.
- Kit #1: Nine (9) sets of #1 type tray slides and pilasters (field installed), bottom support of one (1) 18"L x 26"D (458 mm x 661 mm) pan or two (2) 14"L x 18"D (356 mm x 458 mm) pans.
- Kit #2: One (1) set half-section #2 steel rod tray slides and pilasters (field installed), rim support of one (1) 18"L x 26"D (458 mm x 661 mm) pan.
- Kit #3: Six (6) sets of universal type tray slides and pilasters (field installed), bottom support of one (1) 18"L x 26"D (458 mm x 661 mm) pan, two (2) 14"L x 18"D (356 mm x 458 mm) pans or two (2) 12"L x 20"D (305 mm x 508 mm) pans.
- Kit #4: Three (3) chrome shelves 26-5/16"L x 21-9/16"D (669 mm x 548 mm). Optional wall mounted shelf support pilasters (field installed) with four (4) shelf clips per shelf available; adjustable on 1/2" (13 mm) increments (must order at time of cabinet order).
- Additional kit option components available individually.



METRIC DIMENSIONS ROUNDED UP TO THE NEAREST WHOLE MILLIMETER
 SPECIFICATIONS SUBJECT TO CHANGE WITHOUT NOTICE

| | | | | | | |
|--|----------------|-----------|-------|------|----|------|
| | Model | Elevation | Right | Plan | 3D | Back |
| | ST()3R-6HS-HC | | | | | |