



# ULT SERIES

## 2-SECTION SOLID DOOR COMPACT UNDERCOUNTER FREEZER



Project Name:	Location:	AIA #:	
Item #:	Qty:	Model #:	SIS #:

### ULT SERIES - STAINLESS STEEL EXTERIOR & INTERIOR



#### 60" WIDE MODELS

- ULT60-LR Hinged Left/Right
- ULT60-LL Hinged Left/Left
- ULT60-RR Hinged Right/Right

### SPECIFICATIONS

DIMENSIONAL DATA	
Capacity cu. ft.	17.47 (494 cu l)
Length in.	60 (152 cm)
Depth in.	32 (81.3 cm)
Overall Height in. <sup>2</sup>	33-5/8 (85.4 cm)
ELECTRICAL DATA	
Horsepower <sup>1</sup>	1/2
Amps	7.2
Voltage	115/60/1
NEMA	5-15P
REFRIGERATION DATA	
Refrigerant	R-290
Charge Amount oz.	4.5 (128 g)
BTU	1695

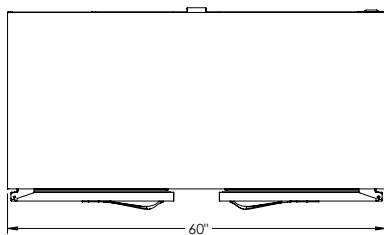
When ordering please specify:  
Voltage, Hinging, and Options



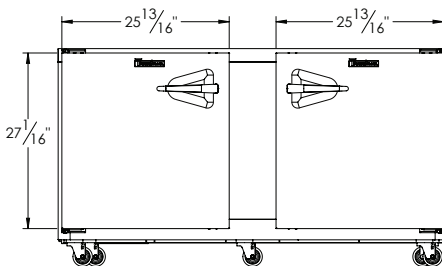
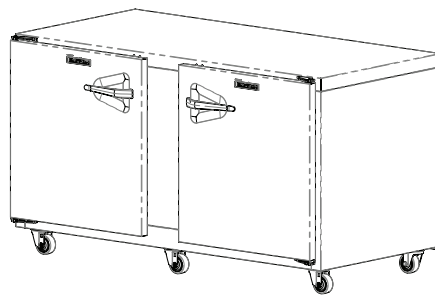
NEMA 5-15P

1. Based on 90°F ambient & 20°F evaporator.
2. Overall height includes 4" (10.2 cm) for casters.

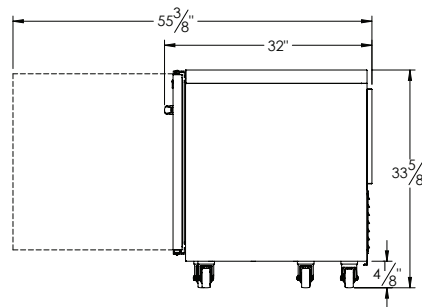
### PLAN VIEW



TOP VIEW



ELEVATION



SIDE VIEW



Models listed to applicable UL, CSA, and NSF standards by an approved NRTL. Consult the factory or unit data plate for additional information.

Specifications subject to change without notice. Chart dimensions are rounded up to the nearest 1/16" (centimeters rounded up to the nearest tenth).



# ULT SERIES

## 2-SECTION SOLID DOOR COMPACT UNDERCOUNTER FREEZER



Project Name:	Location:	AIA #:	
Item #:	Qty:	Model #:	SIS #:

### REFRIGERATION SYSTEM

- Self-contained, rear-mounted system uses environmentally friendly, minimal GWP R-290 refrigerant
- Front-breathing system allows zero-clearance installation
- High performance, balanced system operates at -5 to 0°F (-17 to -16°C) to maintain consistent, food-safe temperatures
- Specialized, clock-wise airflow design
- LED display for electronic control is water-resistant
- Capillary tube refrigerant metering
- Forced-air evaporator coil; non-electric condensate evaporator

### CABINET CONSTRUCTION

- Stainless steel exterior and interior
- Exterior back and bottom are constructed of heavy gauge galvanized steel
- Cabinet and doors are insulated with an average of 2" (5.1 cm) thick high density, non-CFC foamed-in-place polyurethane
- A set of (6) 4" (10.2 cm) high casters; all with brakes
- 9' (2.7 m) cord & plug provided

### DOORS

- Doors are self-closing with a stay-open feature
- Doors are field reversible; requires new door
- Magnetic, snap-in EZ-Clean™ door gaskets are chemical-resistant

### FACTORY-INSTALLED INTERIORS

- (2) adjustable, factory-installed coated wire shelves per section supported on pilasters

### FIELD-INSTALLED INTERIOR/SUPPORT OPTIONS

- Additional coated wire shelves (SHELF60 UPPER or LOWER)
- Heavy-gauge stainless steel top with 4" (10.2 cm) backsplash (CU60TOP-BSW0)
- Set of (6) 2-3/4" (6.9 cm) casters (CK27)
- Set of (6) 3-1/2" (8.9 cm) casters (CK25)
- Set of (6) 6" (15.2 cm) casters (CK21)
- Set of (6) 6" (15.2 cm) legs (LK6)

### FACTORY-INSTALLED OPTIONS

- Stainless steel finished back (model number suffix -SB)

### WARRANTY

Both a six-year parts and labor warranty, and an additional one-year compressor parts warranty (for a total of seven years) are provided standard.

CAD and/or Revit Files Available

<https://traulsen.klclcad.com>

Approved by:	Approved by:	Date:
--------------	--------------	-------