

CANOVA 300 AUTOMECH - 12"

Automatic slicer, compact



- Compact automatic slicer designed for repeatable slicing requiring limited attendance, maximizing the productivity of kitchen labor
- Special end weight and adjustable vertical product fence to provide stability and dispense products evenly
- Carriage release system for manual operation
- Exclusive high-quality, rounded, no edges design, increased blade and machine body gap, easy breakdown for a fast and effective cleaning
- Inner blade cover ensures a perfectly aligned cut. No waste when cutting same product at different times.
- Zero blade exposure due to a permanent blade rim guard, a safety hand guard mounted to the carriage and a carriage lockout to prevent exposed blade edge
- No voltage release prevents inadvertent reactivation after a power outage.

Features

Technical:

- The sharpener assembly is made entirely from aluminum, no plastic presence that may break with heavy use.
- The tie rod assembly and all external screws are made of stainless steel for longer life.
- The slide shaft is made of ground, chromed steel for a smoother operation.
- The high-quality bushings and ball bearings are self-lubricating.
- The dial thickness control cam system allows for an always precise cut.

Safety:

- A safety cover is placed under the motor and the electrical components.
- The hopper features an exclusive heavy duty plastic protection to keep operator's hand at a safe distance from the blade while operating the slicer.
- A permanently-mounted knife ring guard covers the non-cutting side of the blade.
- Overcurrent and no volt release protection

Sanitary:

- Easy to clean aluminum alloy construction does not crack or stain.
- The screws are stainless steel and resist wear and oxidation.
- The carriage and the center plate are quickly removable without tools.

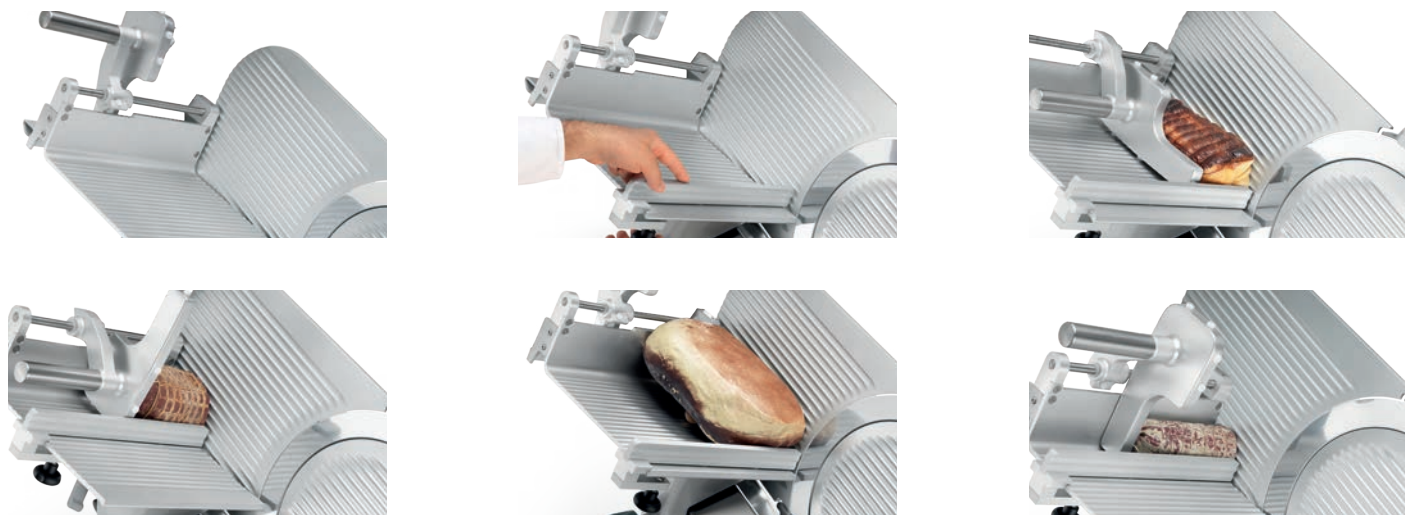
Specifications

Operation:	Gravity feed.
Construction:	Polished, anodized aluminum alloy.
Knife:	One piece, chromium plated 100Cr6 forged carbon steel blade
Sharpener:	Built-in, removable two stone dual action.
Slice thickness:	Infinitely variable up to 1/2"
Motor:	0.5 Hp (375W), belt-driven, fan cooled.
Electrical:	120V AC, 60Hz, 4A
Plug & Cord:	Attached, flexible, 3 wire SJTO AWG 18, 6'4" long. NEMA 5-15 P
Blade controls:	ON/OFF s/steel keypad. IP 67 waterproof. No voltage release
Carriage controls:	ON/OFF s/steel keypad. IP 67 waterproof. No voltage release.

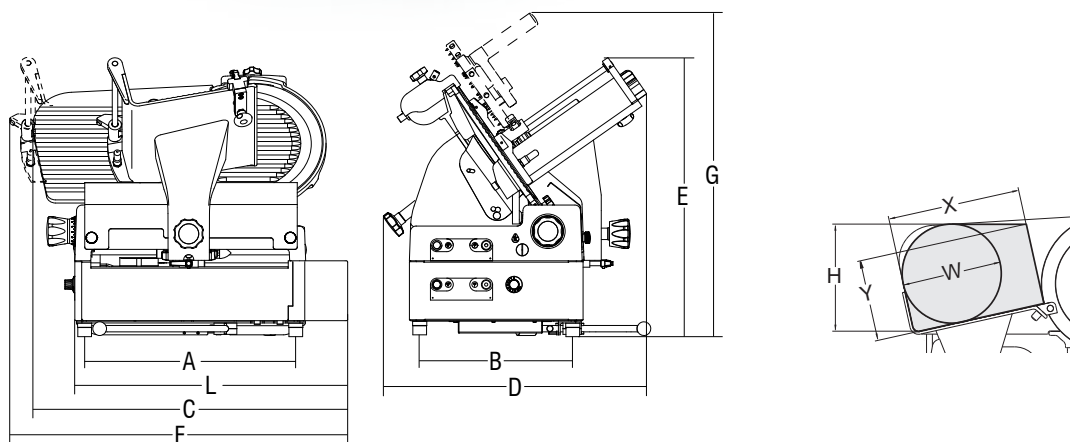


Certified to UL Standard 763
and NSF Standard 08
Certified to CSA Standard C22.2

Uniko hopper



Lift lever (factory installed)



	Ø Blade	Motor	Cut thickness	Blade rpm	Carriage stroke	Hopper	A	B	C	D	E	F	G	X	Y	H	W	Net weight	Shipping	Gross weight
	mm/inch	watt/Hp	inch.	rpm	inch.	inch.	inch.	inch.	inch.	inch.	inch.	inch.	inch.	inch.	inch.	inch.	inch.	lbs.	inch.	lbs.
Canova 300 Automec	300/12"	375 - 0.5	1/2"	350	10 13/16"	9 7/16" x 9 1/16"	16 7/8"	11 7/16"	23 1/4"	20 25/32"	19"	25 3/16"	24 1/2"	9 1/16"	6 7/8"	8 11/16"	7 7/8"	99	30" x 26" x 29"	100