

# BACK BAR EQUIPMENT

## Model: **KC24N**

Natural Refrigerant R-290 Model

## 24" Keg Cooler

Textured baked black enamel finish exterior, stainless steel countertop and interior back with reinforced stainless steel floor.



## Options and Accessories

(upcharge and lead times may apply)

|   |                                |
|---|--------------------------------|
| Epoxy coated or stainless steel shelves             | Single, dual or triple faucets |
| Hinged glass door (consult factory)                 | Faucet lock                    |
| Food storage rated stainless steel interior (NSF-7) |                                |

Consult factory for other model configurations, options and accessories.



Project Name:

Model Specified:

Location:

Item No:

Quantity:

AIA #:

SIS #:

## Standard Model Features

### REFRIGERATION SYSTEM

Performance rated refrigeration system

Natural, environmentally safe, high efficiency R-290 refrigerant<sup>1</sup>

Automatic, hot gas condensate evaporator

Extra large, balanced evaporator coil

### CABINET ARCHITECTURE

High density, non-CFC polyurethane foamed-in-place insulation

Rear and side venting louvered panels

Magnetic snap in door gasket

Cylinder-keyed security lock

Stainless steel reinforced threshold

5" high casters (cannot be changed, footing installed)

### MODEL FEATURES

Electronic controller with digital display & hi-low alarm

Continuously cooled, 3" diameter beer column with lever faucet, CO<sub>2</sub> pressure relief distributor and CO<sub>2</sub> tubing with clamps

Easily removable stainless steel drip grate with convenient front mounted cleanout drainage hose (pan not removable)

Easily accessible and serviceable condensing unit

<sup>1</sup> R-290 refrigerant meets all federal and state regulatory requirements.

APPROVAL:

# Model Specifications

## DIMENSIONAL DATA

|   |                   |
|---|-------------------|
| Net Capacity (cubic feet)                                 | 8 (226 l)         |
| Width, Overall (inches)                                   | 24 1/8 (613 mm)   |
| Depth, Overall (inches)<br>(including handle & condenser) | 31 7/16 (798 mm)  |
| Height, Overall (inches)<br>(not including column)        | 38 13/16 (986 mm) |
| Capacity: # Barrel Kegs                                   | 1                 |
| Capacity: # Straight Wall Kegs                            | 1                 |
| Capacity: # 1/6 Size Kegs                                 | 3                 |
| Number of Doors   | 1                 |
| Number of Beer Columns<br>(with single faucet)            | 1                 |

## REFRIGERANT DATA

|                               |      |
|-------------------------------|------|
| Condensing Unit Size (H.P.)   | 1/5  |
| R-290 Refrigerant Charge (oz) | 2.3  |
| Capacity (BTU per hour)*      | 1470 |

## ELECTRICAL DATA

|  |                     |
|--|---------------------|
| Voltage (International)                        | 115/60/1 (220/50/1) |
| Feed Wires (including ground)                  | 3                   |
| Total Amps (International)                     | 2.6 (1.3)           |
| 10 ft. Cord/Plug [attached]<br>(International) | Yes<br>(No)         |

## SHIPPING DATA

|                          |              |
|--------------------------|--------------|
| Weight (pounds)          | 210 (112 kg) |
| Height - Crated (inches) | 45 (1099 mm) |
| Width - Crated (inches)  | 31 (908 mm)  |
| Depth - Crated (inches)  | 36 (946 mm)  |

\* Rating @ +25°F evaporator, 90°F ambient  
 Figures in parentheses reflect metric equivalents rounded to the nearest whole unit.



Equipped with one NEMA-5-15P Plug  
(varies by country)

# Continental®

Refrigerator

Toll-Free: 800-523-7138  
 Phone: 215-244-1400  
 Fax: 215-244-9579

539 Dunksferry Road  
 Bensalem, PA 19020  
[www.continentalrefrigerator.com](http://www.continentalrefrigerator.com)

Due to our continued efforts in developing innovative products, specifications subject to change without notice.

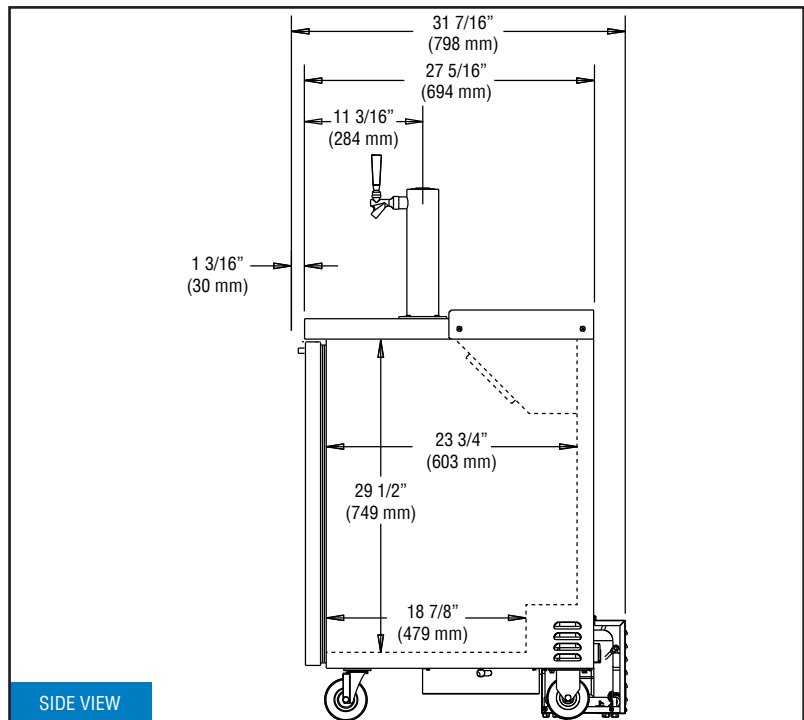
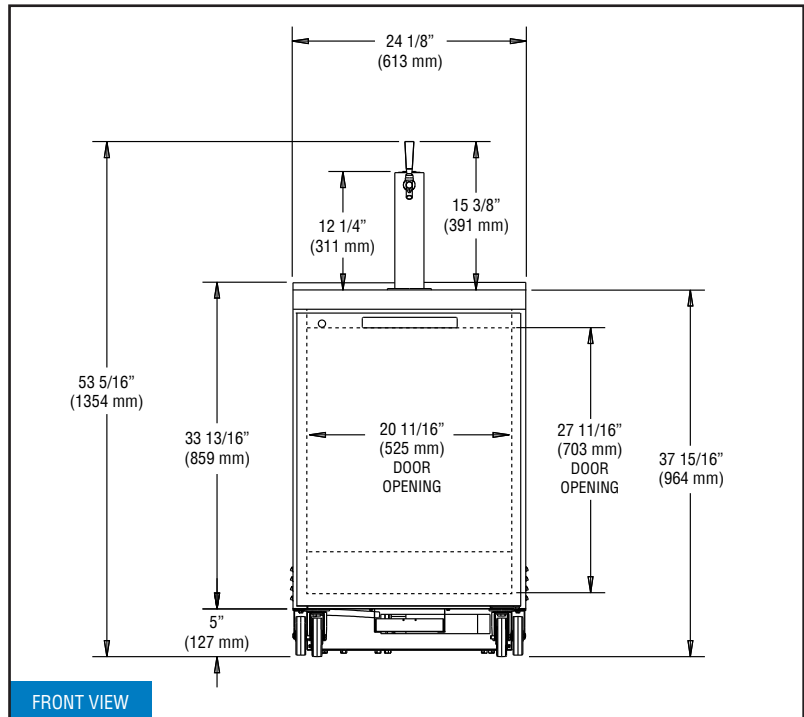


PROUDLY  
 DESIGNED & ASSEMBLED  
 IN THE U.S.A.

Intertek

© Copyright 2021. Continental Refrigerator.

# Model Plan Views



**IMPORTANT NOTE:** If the cabinet is located directly against a wall, a minimum clearance of 3" is required on sides, front and rear.

REVISED: 4/29/26