



Table Bases

Bar & Dining Height 4 Prong Table Bases



Use your smart phone to scan the above QR code to visit our website: www.bk-resources.com



Features:

- Floor Guides
- Top Spider with Rod and Nut
- Hardware for Mounting

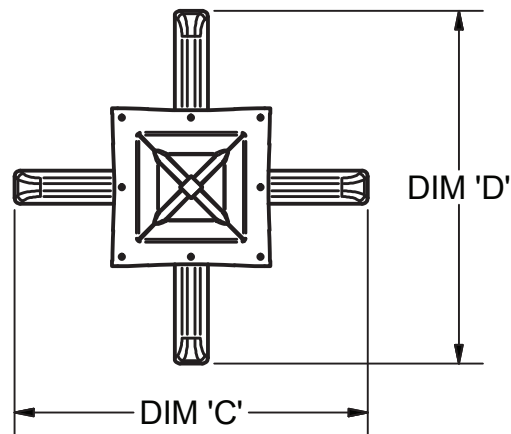
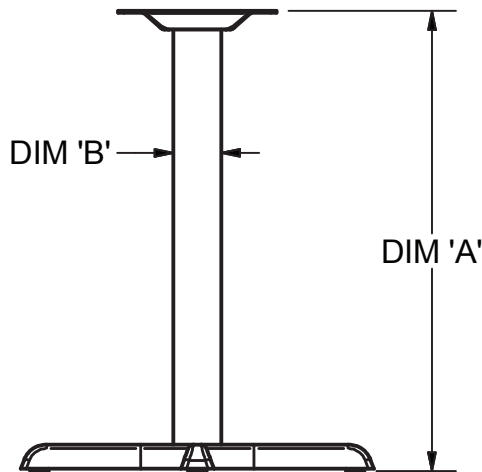
Material:

- Cast Iron Table Bases
- Black Powder Coated Finish

Options:

- Self-Leveling Table Guides

Part Number	Dim A	Dim B	Dim C	Dim D	Height
BK-DXTB2-2222	28.5"	3"	22"	22"	Dining Height
BK-BXTB2-2222	41.5"	3"	22"	22"	Bar Height
BK-DXTB2-2430	28.5"	3"	24"	30"	Dining Height
BK-BXTB2-2430	41.5"	3"	24"	30"	Bar Height
BK-DXTB2-3030	28.5"	3"	30"	30"	Dining Height
BK-BXTB2-3030	41.5"	3"	30"	30"	Bar Height



PRODUCT DATA SHEET

BK RESOURCES

