

Mobile Tray / Silverware Dispenser-Single

Standard Features

FRAME: Featuring frameless construction utilizing 16 gauge stainless steel formed end panels with 18 gauge bottom channels and 1 1/4" square tubing top frame.

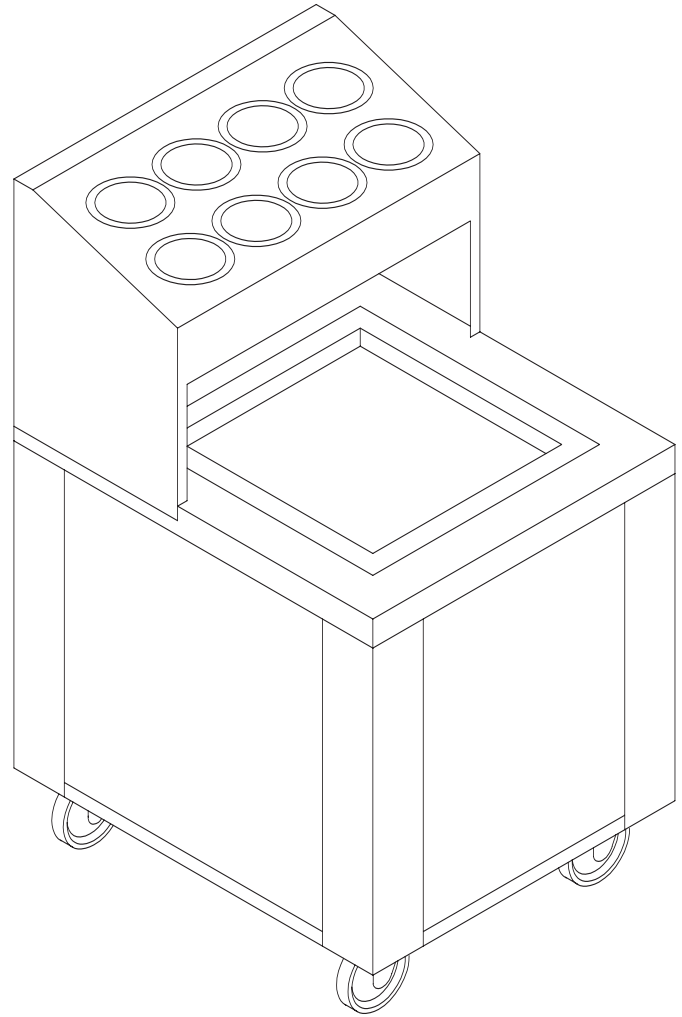
CASTERS: Heavy duty 5" diameter plate casters with gray rubber tires. Brake models to be supplied on all casters.

SIDE PANELS: Removable plastic laminate panel

SILVERWARE DISPENSER: 16 gauge stainless steel sloped overhead-type silverware dispenser, enclosed on all four sides, and provided with eight (8) openings with nylon removable cylinders.

LOWERATOR: 16 gauge stainless steel self leveling mechanism lifts out for easy cleaning. Stainless steel adjustable extension springs to accommodate different weights.

STAINLESS STEEL SPECIFICATION: All stainless steel to be type 304 with number 3 finish.

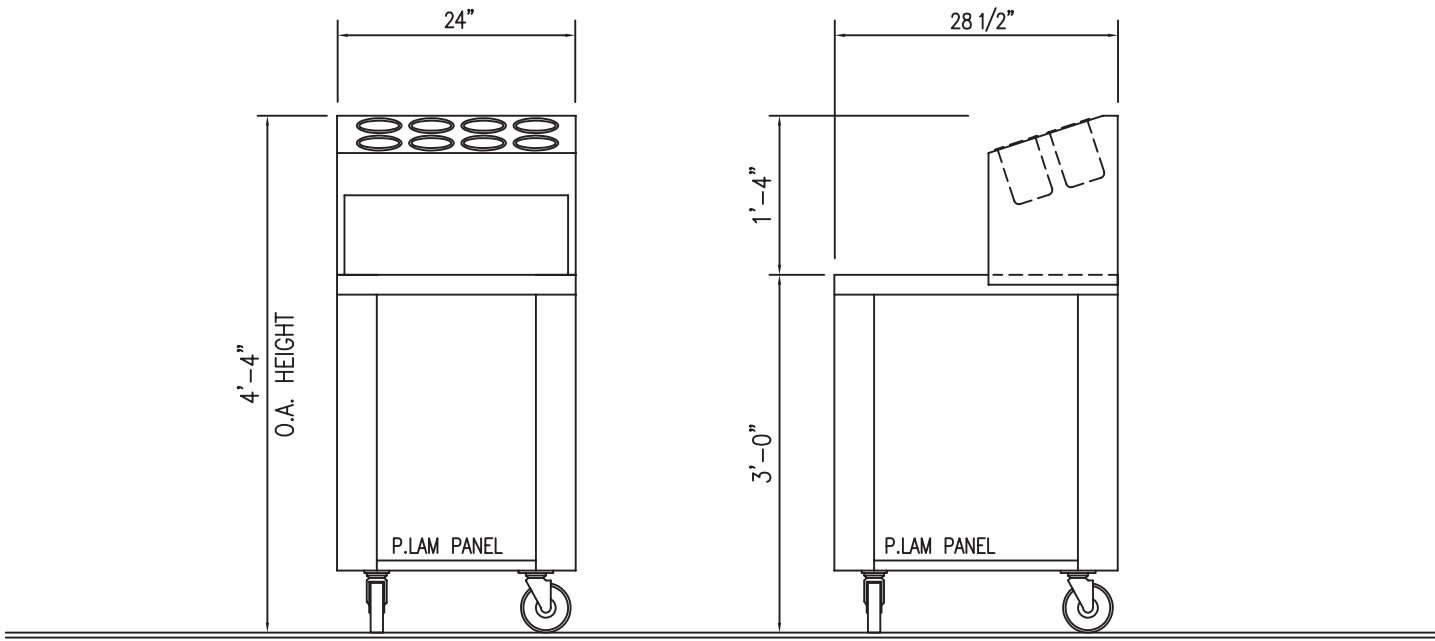


MODEL	DIMENSIONS	SHIP WEIGHT
MCT-TS1	24" L x 28.5" W x 36" H Overall Height 52"	135 lbs



2320 Peyton Houston, Texas 77032
Phone 281-442-8001 Toll Free: 888-955-5463 Fax: 281-442-3351 www.mod-u-serve.com

Mobile Tray / Silverware Dispenser-Single



Optional Features

LEGS: 6" adjustable stainless steel legs in lieu of casters.

For options / accessories / modifications not shown,
please contact the factory.



Mod-U-Serve reserves the right to modify specifications or discontinue models without notice or incurring obligation.



2320 Peyton Houston, Texas 77032

Phone 281-442-8001 Toll Free: 888-955-5463 Fax: 281-442-3351 www.mod-u-serve.com

MUS.20 11/05