



Model: _____ Item #: _____ Date: _____
 Project: _____ Qty: _____ Approved By: _____

Drop-In Sinks with 1-1/2" Drains

Drop-In Sinks

STANDARD FEATURES (applies to all models)

- Fabrication: 20 gauge stainless steel
- All seams tig welded and polished
- Bowl: High quality deep drawn
- Faucet & drain included
- Stainless steel 1-1/2" drain
- Faucet included is certified to NSF/ANSI 61 and 372 and conforms with the lead content requirements for lead free plumbing as defined by the U.S. Safe Drinking Water Act. Hand sink is certified NSF-2.

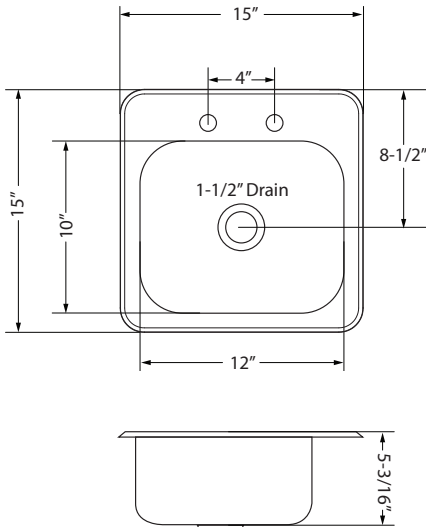
OPTIONAL ACCESSORIES

- H-100** Chrome plated 1-1/2" IPS P-Trap
- H-103** Wrist Handle Kit

HS-1515
15"W Drop-In Sink



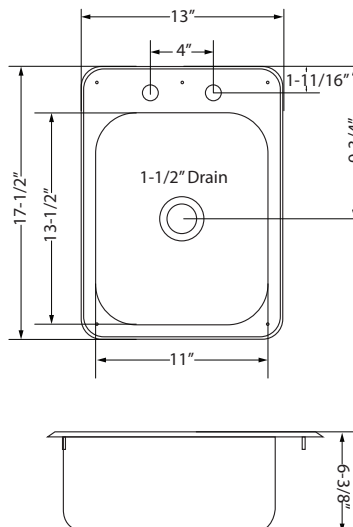
Overall Size	15"W x 15"L x 5-3/16"D
Bowl Size	12"W x 10"L x 5-3/16"D
Cutout (1-1/2" Radius)	14-3/8" x 14-3/8"
Faucet	4" Center Deck Mount with 4-1/2" Double Bend Spout, 1.8 GPM
Weight	8 lbs.



HS-1317
13"W Drop-In Sink



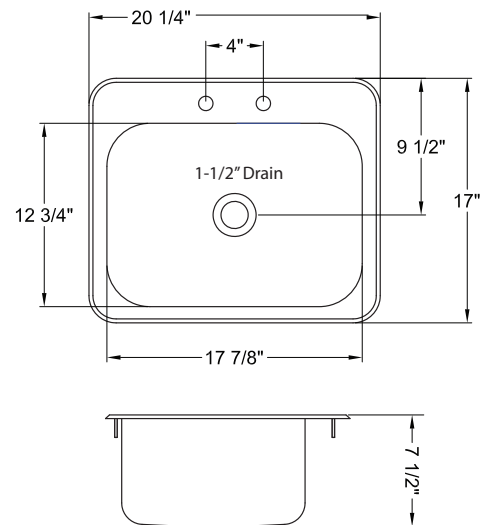
Overall Size	13"W x 17-1/2"L x 6-3/8"D
Bowl Size	11"W x 13-1/2"L x 6-3/8"D
Cutout (1/2" Radius)	11-1/2" x 16"
Faucet	4" Center Deck Mount with 4-1/2" Double Bend Spout, 1.8 GPM
Weight	8 lbs.



HS-2017
20-1/4"W Drop-In Sink



Overall Size	20-1/4"W x 17-7/8"L x 7-1/2"D
Bowl Size	17-7/8"W x 12-3/4"L x 7-1/2"D
Cutout (1-1/4" Radius)	18-1/4" x 15-1/2"
Faucet	4" Center Deck Mount with 4-1/2" Gooseneck Spout, 1.8 GPM
Weight	10 lbs.



⚠ Warning: This product can expose you to chemicals including lead and lead compounds which are known to the State of California to cause cancer and birth defects or other reproductive harm. For more information go to www.P65Warnings.ca.gov.

