



CDR-2500 Giant Dough Roller



Ideal for:

- Flour Tortillas
- Sweet Doughs
- Sheeting
- Pierogi
- Pita Bread
- Rolled Dough
- Calzones

Highlights:

- Ships standard with synthetic, non-stick rollers
- Ergonomic design makes it easy and simple to operate
- Sheets dough to a uniform thickness in seconds
- All stainless steel construction offers safety, sanitation, speed, simplicity, durability, and low cost

CDR-2500

Giant Dough Roller

Make dough up to 25" (64cm) in diameter within seconds

Features

- Simple handle adjustments for exact uniform dough thickness
- Spring loaded scrapers readily removable for easy cleaning
- Safety sensors for automatic shutoff
- Compact design, ideal for use in limited space
- Ergonomic design for easy operation
- Convenient front operation
- Large hopper accepts large pieces of dough
- Maintenance free drive mechanism
- Drive mechanism isolated from roller area
- Sanitary, heavy duty, all stainless steel welded construction
- Safe, simple, easy to operate, easy to clean

Industry Uses

- Pizzerias
- Restaurants
- Institutions
- Schools
- Mexican establishments
- Ethnic food production
- Cafes
- Bakeries

Contact us

978.667.3355 | 800.772.440

Fax: 978.671.9466

Email: somerset@smrset.com

smrset.com

Somerset Industries, Inc.
137 Phoenix Ave
Lowell, MA 01852 USA



Specifications

(Specifications subject to change without notice)

Rollers: 3.5" dia. by 25" length (8.89 cm dia. by 63.5cm length)

Scrapers: Synthetic, Spring Loaded, Removable

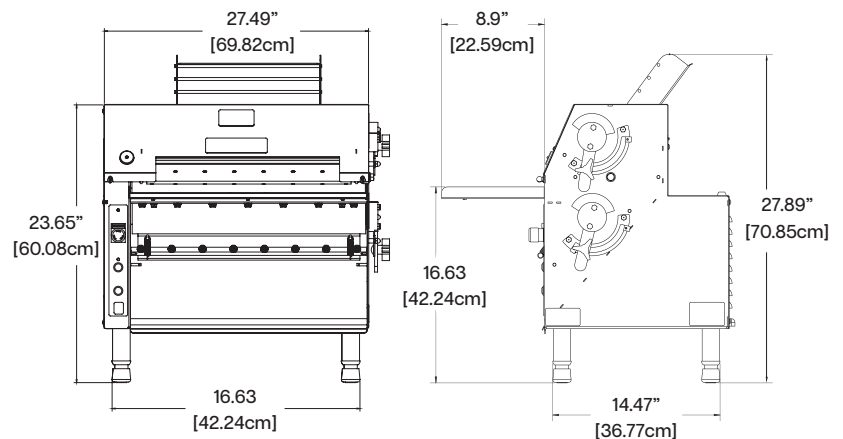
Bearings: Sealed Ball Bearings, Permanently Lubricated

Gear Motor: Heavy Duty 3/4 HP, Single Phase, Maintenance Free, 115v/60Hz or 220v/50Hz

Finishing: All Stainless Steel

Legs: 4" Adjustable, Stainless Steel

Shipping Weight: 229 (103.8kgs)



Scan the code to learn more about the CDR-2500

