

SEAGATE



2 Door 48" Sandwich Prep Table SKU: SSP48-12

- **Spacious:** 13.8 cu ft capacity
- **Durable:** Stainless steel exterior, painted aluminum interior
- **Efficient:** Low energy usage (3.95 kW.h/24h)
- **Convenient:** Self-closing doors, efficient LED lighting
- **Certified:** ETL Electrical, ETL Sanitation, DOE
- **Mobility:** Locking casters
- **Powerful:** 1/5 HP compressor
- **Sleek:** Stainless steel finish, swing-style solid doors



Refrigerant	R290
Horsepower (HP)	1/5
Voltage (V)	115V/60hz
KW per 24h	3.95kw.h/24h
Wattage	443
Weight (lbs)	107
Shipping Weight (lbs)	126
Door Self Closed	Yes
Interior Material	Painted Aluminum
Exterior Material	Stainless Steel
Color	Silver
Door Style	Swing
Door Type	Solid
Compressor Location	Rear Mounted
Shelf Capacity (lbs)	85
Plug Type	NEMA 5-15P

Introducing our premium 48 1/2" sandwich prep table, the **Seagate SSP48-12**. This meticulously designed unit delivers exceptional performance and reliability for your commercial kitchen. With precise dimensions of 48 inches in width, 30 3/8 inches in depth, and 45 3/8 inches in height, it provides ample space for your culinary needs.

Crafted with a robust stainless steel exterior and a clean, easy-to-maintain painted aluminum interior, this prep table combines durability with a hygienic appearance. The impressive 13.8 cubic feet of storage capacity is complemented by its twelve included pans, ideal for sandwich and salad preparation.

Item	Width (Inch)	Depth (Inch)	Height (Inch)
Exterior	48	30 3/8	45 3/8
Interior	44 1/4	25 3/8	28 3/4

Capacity (Cu Ft)	Number of Shelves	Number of Doors
13.8	2	2

- **Heavy-duty:** Sturdy stainless steel exterior, clean painted aluminum interior, and a dependable 304 stainless steel floor.
- **Spacious:** Ample with epoxy-coated shelf, supports up to 85 pounds.
- **Insulated:** Superior with substantial 2-inch insulation for precise temperature control.
- **Powerful:** High-powered by a 1/5 HP compressor, ensuring top-tier reliability and efficiency
- **Efficient:** Low energy consumption with hydrocarbon based natural R290 refrigerant



Seagate Refrigeration | Burkett Restaurant Equipment and Supplies: [419-720-8186](tel:419-720-8186) | sales@burkett.com

Note: Specifications subject to change without notice
Do not use in non-commercial or residential settings

The **Seagate SSP48-12** features energy-efficient components, including a 1/5 HP compressor operating at 115V/60Hz and using eco-friendly R290 refrigerant. It consumes minimal energy, costing only 3.95 kW.h/24h, ensuring long-term cost savings for your business.

This unit's two solid doors are reversible for convenience and energy efficiency, sealing in freshness. The interior includes two sturdy shelves, each capable of holding up to 85 pounds. LED lighting is built in for clear visibility of your ingredients, ensuring efficient food preparation.

Hinge Location	Amps	Hertz	Temperature Range
left/right	3.4A	60Hz	33°F to 40°F
Phase	Shelves Size	Shelf Capacity (lbs)	Caster Size (Inch)
Single-phase	20.8 x 19	85	5"

Choose the **Seagate SSP48-12** for quality and reliability in your commercial kitchen. Whether you're in the food service industry or running a restaurant, this prep table ensures your ingredients stay fresh and at the right temperature, preserving their quality.

2 Door 48" Sandwich Prep Table SKU: SSP48-12

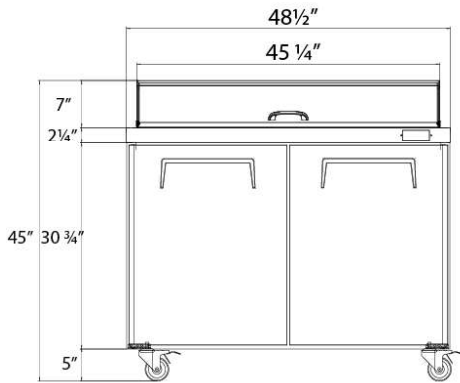
The self-closing door adds convenience and saves energy by ensuring a proper seal at all times. Moving it around is effortless with four 5-inch casters that provide stability and mobility.



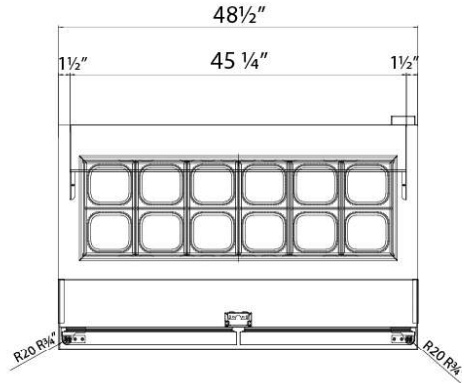
Invest in the future of your business with the **Seagate SSP48-12** sandwich prep table. It's a powerful, energy-efficient, and reliable addition to any kitchen, designed to meet your needs for years to come. Explore our range of prep tables and kitchen equipment to optimize your operations. Elevate your kitchen with **Seagate**.

Technical Data:

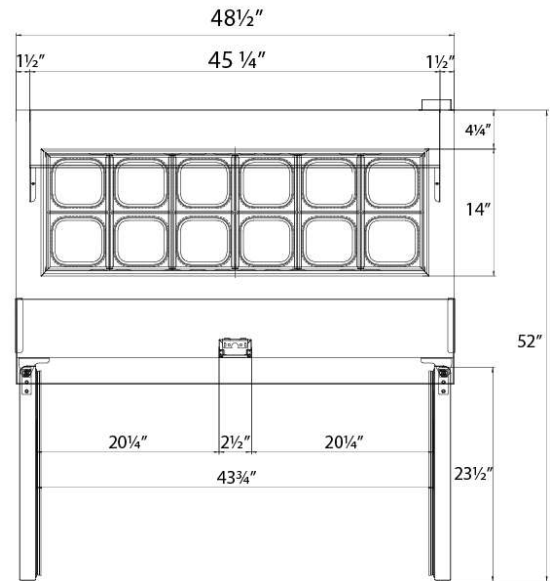
FRONT VIEW



TOP VIEW



TOP VIEW



2 Door 48" Sandwich Prep Table SKU: SSP48-12

Seagate's Comprehensive Warranty:

