



BEVERAGE-AIR®

PROJECT: _____
 ITEM # QTY: _____
 MODEL # _____
 AIA # SIS# _____
 APPROVED: _____

RI SERIES BOTTOM MOUNT REFRIGERATOR

RI SERIES BOTTOM MOUNT REFRIGERATOR

Model: RI18HC-HS

HALF SOLID DOOR



7 YEAR WARRANTY
Parts, Labor, and Compressor

CABINET CONSTRUCTION

- Stainless steel exterior and interior
- Full electronic control
- Interior LED light
- Five (5) shelves standard
- Self-closing door with 120° stay-open feature, on spring loaded hinges
- One piece grille
- Snap-in magnetic door gasket
- 3" Heavy duty casters standard



OPTIONS & ACCESSORIES

- Epoxy shelves & clips
- 6" Casters
- 6" Legs
- Right or left hinged door
- Remote option* (see note on back page)

REFRIGERATION SYSTEM

- Uses environmentally friendly, energy efficient R290 refrigerant, and meets all regulatory requirements for CARB, SNAP, DOE & more
- Automatic, non-electric defrost
- Epoxy coated evaporator coil
- Maintains temperature between 36° and 38°F

3779 Champion Blvd., Winston-Salem, NC 27105
 888-845-9800 Fax: 336-245-6453
 Beverage-Air.com Sales@bevair.com



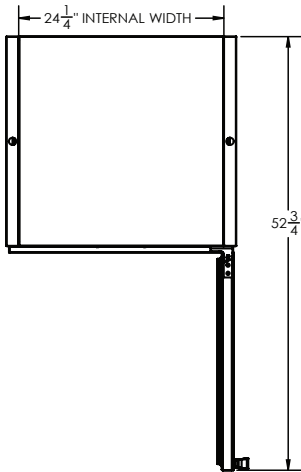
Please verify qualifying units by visiting:
www.energystar.gov/cfs

Specifications are subject to change without prior notice.
 Date Issued 10/25 Printed in U.S.A.

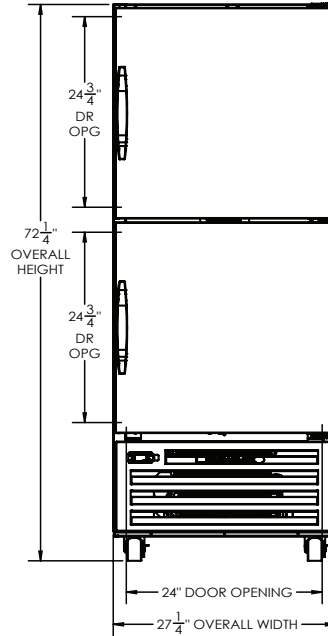
BEVERAGE-AIR®

RI Series Refrigerator Model: RI18HC-HS

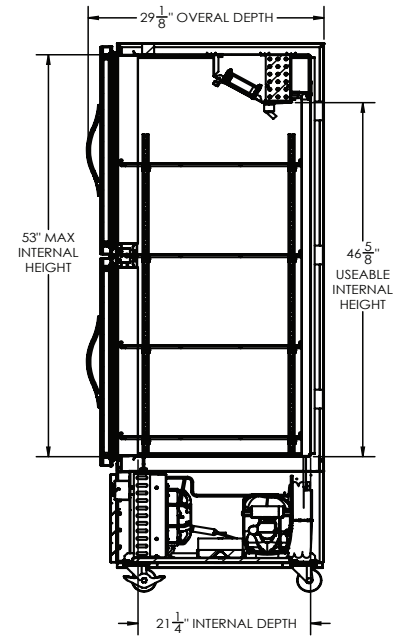
PLAN VIEW



ELEVATION VIEW



SIDE VIEW



EXTERNAL DIMENSIONAL DATA

Width Overall (in)	27 1/4"
Depth Overall (in)	29 1/8"
Height Overall (in)	72 1/4"
Number of Doors	2
Depth with door open 90°	52 13/16"
Door Openings (in)	24" x 24 3/4"

INTERNAL DIMENSIONAL DATA

NET Capacity (cubic ft.)	16.85
Internal Width Overall (in)	24 1/4"
Internal Depth Overall (in)	23 7/8"
Internal Height Overall (in)	Max 53" Min 46 5/8"
Number of Shelves	5

*NOTE: Remote units are field wired and come with 6" legs.
Refrigerant must be specified at time of order.

We reserve the right to change specifications and product design without notice. Such revisions do not entitle the buyer to corresponding changes, improvements, additions or replacements for previously purchased equipment. Dimensional tolerances +/- 1/4". Metric dimensions (MM).

Required Clearance: 3" Bottom & Rear

ELECTRICAL DATA

Full Load Amps	5.5
Voltage	115/60/1
Nema Plug (8' cord)	5-15P

REFRIGERATION DATA

Horsepower	1/4
Capacity (BTU/Hr)	1997
Heat Rejection (BTU/Hr)	2995.5
Charge (lbs/grams/ounces)	0.1875 / 85 / 3.0

SHIPPING DATA

Gross Weight - Crated	334 lbs.
Height - Crated (in)	76"
Width - Crated (in)	30"
Depth - Crated (in)	32"

ELECTRICAL CONNECTION



115/60/1
NEMA 5-15P

Unit pre-wired at factory and include 8' long cord and plug set.

3779 Champion Blvd., Winston-Salem, NC 27105 | 888-845-9800 | Fax: 336-245-6453 | Beverage-Air.com | Sales@bevair.com

Date Issued 10/25 | Printed in U.S.A.