

Project Name: _____ AIA#: _____

Model #: _____ Location: _____

SIS#: _____ Item #: _____ Quantity: _____



Premium Heavy-Duty Manual Slicer

Precise - Powerful - Premium Construction

The all-new, heavy-duty S-Series line of premium slicers from Globe delivers precision, performance, industry-leading convenience, superior cleanability and lasting value.



SG13

Removable Knife makes cleanup easier while providing more operator protection



Model

SG13 (Advanced Model)

Standard Features

- Patented anodized aluminum design & construction for quick and easy cleaning
- Patent-pending indexing system enables accurate and precise slice thickness adjustment up to 1-1/8"
- **NEW!** Patent-pending 4-hour cleaning notification cycle better ensures proper sanitation
- 13" steel knife with hardened edge provides quality slices and higher yield
- Tilting carriage accommodates up to 13.75" H, 8" dia., 11" W large products, like prosciutto, mortadella and bacon
- Advanced meat grip design for superior product hold
- 1/2 HP continuous use knife motor combined with the high efficiency knife drive system delivers optimum power
- No Voltage Release prevents inadvertent reactivation of slicer in the event of interlock or power interruption
- Interlock prevents slicer operation without knife cover in place
- Top mounted, removable sharpening system utilizes long-lasting synthetic diamond surfaces and enables quick and easy sharpening and cleaning
- Kickstand to facilitate ease of cleaning
- Home Start – carriage must be in home position to start slicer
- Adjustable timer – shuts off slicer after inactivity
- Close to Stop – closing slicer table shuts off slicer
- Carriage tilt interlock – prevents knife exposure when carriage is tilted and prevents slicer from operating
- Patent-pending graphic user interface with Clear-Text LCD display provides operator messages, diagnostics and system information in English, Spanish and French

Warranty

- Two year parts and labor
- Lifetime warranty on sharpening stones

Factory Installed Options

- KNIFE-RMV - Removable Knife includes removal tool
- CARRIAGE-RMV - Removable Carriage
- SSK - Stainless Steel Knife in lieu of Carbon Steel

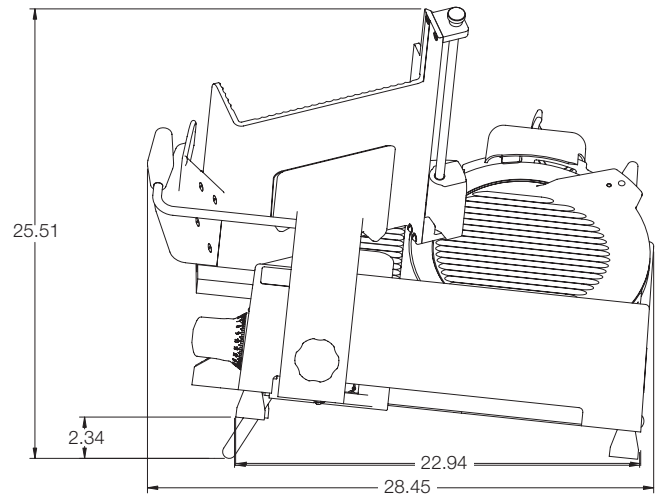
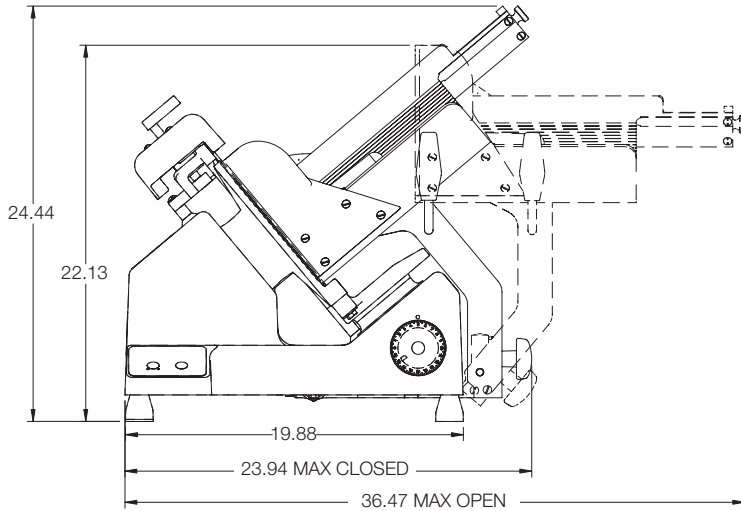
Optional Accessories

- S-FENCE - Food Fence
- S-VEGHOP - Vegetable Hopper
- SC-LARGE - Slicer Sanitation Cover
- S-SLAWTRAY - Slaw Tray
- S-LEGS - Extension Legs
- SCALE MOUNT-S - Mount for Globe 10 lb. scale
- S-XDSLIM - Extended Warranty

To select factory-installed options and accessories, see back

Approved by: _____ Date: _____





UNIT: Inches

Drawings available through KCL. www.kclcad.com

SPECIFICATIONS

Model	Motor	Volts	Amps	NEMA Plug Type	Drive Type	Slicing Vol. / Day	Cheese Slicing	Blade Diameter	Max Slice	Product Cutting Capacity		
										D (Diameter)	H (Height)	W (Width)
SG13	1/2 HP	115-60-1	2	5-15	Poly-V Belt	All Day		13" (33.02 cm)	1-1/8" (2.857 cm)	8" (20.32 cm)	13.75" (35 cm)	11" (27.94 cm)
SG13-05	1/2 HP	220-60-1	1	6-15P	Poly-V Belt	All Day		13" (33.02 cm)	1-1/8" (2.857 cm)	8" (20.32 cm)	13.75" (35 cm)	11" (27.94 cm)
SG13-07	1/2 HP	220-50-1	1	CEE7/7	Poly-V Belt	All Day		13" (33.02 cm)	1-1/8" (2.857 cm)	8" (20.32 cm)	13.75" (35 cm)	11" (27.94 cm)

Cord & Plug: Attached 7 ft. flexible 3-wire cord with molded plug fits a grounded receptacle. **Please specify desired plug configuration when ordering.**

DIMENSIONS | SHIPPING INFORMATION

Reinforced carton for shipping. The weight and dimensions of this reinforced carton are included below and may vary from shipment to shipment. **Shipped on a pallet. Freight class 85.**

Model	Max Overall Dimensions	Net Weight	Shipping Dimensions	Shipping Weight
SG13	36.47" W x 29.56" D x 25.51" H (92.63 cm x 75.08 cm x 64.8 cm)	114 lbs. (51.71 kg)	31.5" W x 31.5" D x 31.5" H (80 cm x 80 cm x 80 cm)	135 lbs. (61.24 kg)

FACTORY INSTALLED OPTIONS:

- KNIFE-RMV - Removable Knife includes removal tool
- CARRIAGE-RMV - Removable Carriage
- SSK - Stainless steel knife in lieu of Carbon Steel

OPTIONAL ACCESSORIES:

- S-FENCE - Food Fence
- S-VEGHOP - Vegetable Hopper
- SC-LARGE - Slicer Sanitation Cover
- S-SLAWTRAY - Slaw Tray
- S-LEGS - 2.5" Extension Legs
- SCALE MOUNT-S - Mount for Globe 10 lb. scale
- S-XDSLML - Extended Warranty



KNIFE-RMV



CARRIAGE-RMV

Constructed of anodized aluminum with built-in control panel. 1/2 HP motor with overload protection and 13" hardened steel knife. Patent-pending indexing system with slice thickness adjustment up to 1-1/8". Top mounted removable sharpener with synthetic diamond stone wheel and plate. Tilting carriage accommodates up to 13.75" H, 8" dia., 11" W large products. Slicer is ETL listed. No Voltage Release and Knife Cover Interlock. Additional features include Home Start, Adjustable Timer, Close to Stop, Carriage Tilt Interlock and Clear-Text display with services and operation/diagnostics and patent-pending 4-hour cleaning notification cycle. Two year parts and labor slicer warranty, lifetime warranty on sharpening stones.