



Catalogue
FOOD SERVICE
Chapter
COOKING

Specific model
 CCP9-2G BS NT 230V 1N 50Hz

19089615

13/10/2022

DENOMINATION:

Refrigerated base - Kore 900 range with 2 doors.

DESCRIPTION :

- Sealed compressor with ventilated condenser.
- Copper pipe evaporator with aluminum wings.
- 50 mm injected polyurethane insulation with a density of 40kg/m3.
- Height adjustable stainless-steel legs (from 130mm to 190mm) allows adjusting the overall height of the counter from 580 to 640mm.
- Forced air refrigeration system
- Working temperature: -2 °C, +8 °C, at room temperature of 38 °C.
- Climate Class 4
- Electronic temperature and defrosting control and display.
- Panoramic door opening and automatic closing device with stay open feature above 90°."

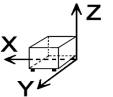
POSSIBLE OPTIONS :

- Wheels Kit (Factory Assembly)
- British plug

STANDARD OPTIONS :

- Stainless Backing
- Without Countertop

DIMENSIONS



X Width	1200 mm	X Gross width	1250 mm
Y Depth	900 mm	Y Gross depth	1025 mm
Z Height	590 mm	Z Gross height	750 mm
Net Weight	102,0 kg	Gross Weight	106,0 kg
Net volume	0,588 m3	Gross volume	0,961 m3

ELECTRICITY TECHNICAL SPECIFICATIONS

Electric power	0,250 kW
Amperage (A)	1,3 A
Voltage	230V - 1N
Electric frequency	50Hz

GAS TECHNICAL SPECIFICATIONS

Gas type	R-290
----------	-------

COLD TECHNICAL SPECIFICATIONS

Refrigeration power	0,369 kW
Annual elec. consumption	714,00 kWh
Power consumption 24h	1,95 kWh
Gross internal volume	169 L
Refrigeration net.vol	100 L
Climate class	4
Cooling gas load	91,000 g
Clasif. Energy efficiency	B
Energy Efficiency Index	34,80 %
Model Type	Counter Cabinet

CONNECTIONS TECHNICAL SPECIFICATIONS

Single-phase 230V wiring	2X1,5+T - 2 A
--------------------------	---------------

OTHERS

Number of doors	2
Condensation system	Vent.

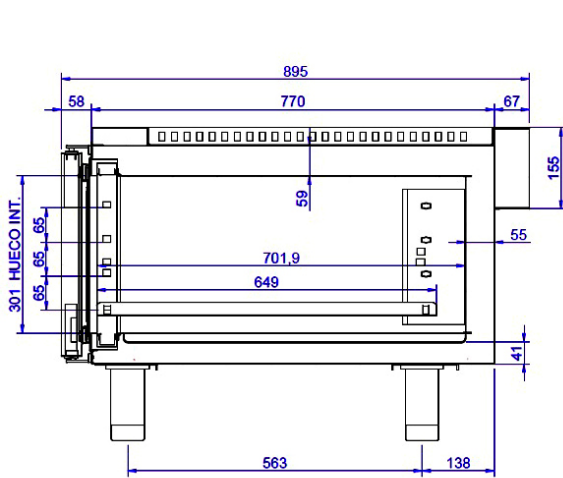


Catalogue
FOOD SERVICE
Chapter
COOKING

Specific model
CCP9-2G BS NT 230V 1N 50Hz

19089615

13/10/2022



CORTE A-A

