



Prep-Tables

Stainless Steel Prep-Tables with Marine Edge



Use your smart phone to scan the above QR code to visit our website:
www.bk-resources.com

Certifications:



Features:

- Bowl Size: 16" x 20" x 10"(d)
- 4" C/C Deck Mount Faucet Installation
- Legs 1 5/8" Diameter
- 6" Riser
- Two (2) Sound Deadened Integrally Welded Braces to Reinforce and Maintain Level Working Surface

Options:

- Drawer Assemblies
- Upgraded Bullet Feet
- Faucet & Lever Drains
- BKD-8-G Faucet

Material:

S Series: S/S w/ Stainless Steel Legs & Undershelf

- T-304 18 ga. Stainless Steel Top & Bowl
- Stainless Steel Legs & Adjustable Undershelf with Cast Aluminum Corners
- S/S Bullet Feet

G Series: S/S w/ Galvanized Legs & Undershelf

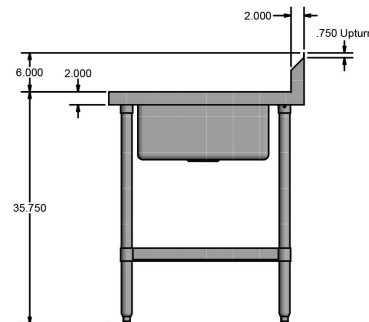
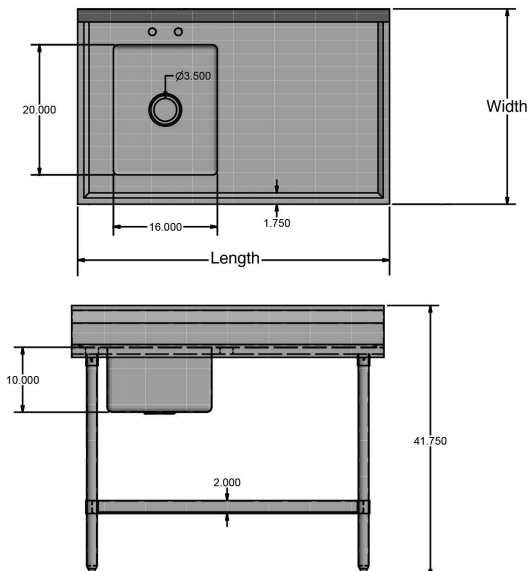
- T-304 18 ga. Stainless Steel Top
- Galvanized Legs & Adjustable Undershelf with Cast Aluminum Corners
- Metal Over Plastic Bullet Feet

Warranty:

- 1 Year Warranty



S Series					G Series				
S/S w/ S/S Legs & Undershelf					S/S w/ Galv. Legs & Undershelf				
Length	T-304 S/S 30" Width	Product Weight (lbs)	w/ Faucet (BKD-8-G)	Product Weight (lbs)	T-304 S/S 30" Width	Product Weight (lbs)	w/ Faucet (BKD-8-G)	Product Weight (lbs)	Sink Side
48"	BKMPT-3048S-L	85.00	BKMPT-3048S-L-P-G		BKMPT-3048G-L	64.00	BKMPT-3048G-L-P-G		Left
48"	BKMPT-3048S-R	85.00	BKMPT-3048S-R-P-G		BKMPT-3048G-R	64.00	BKMPT-3048G-R-P-G		Right
60"	BKMPT-3060S-L	85.00	BKMPT-3060S-L-P-G	90.00	BKMPT-3060G-L		BKMPT-3060G-L-P-G		Left
60"	BKMPT-3060S-R	85.00	BKMPT-3060S-R-P-G	90.00	BKMPT-3060G-R	87.00	BKMPT-3060G-R-P-G	90.00	Right
72"	BKMPT-3072S-L		BKMPT-3072S-L-P-G		BKMPT-3072G-L	109.00	BKMPT-3072G-L-P-G		Left
72"	BKMPT-3072S-R	109.00	BKMPT-3072S-R-P-G		BKMPT-3072G-R	109.00	BKMPT-3072G-R-P-G		Right



PRODUCT DATA SHEET

BK RESOURCES

