

## "41PB-2D" PRO-BOWL COMPARTMENT SINKS

### 1 Compartment w/2 Drain Boards - 14GA w/Stainless Steel Base

#### FEATURES:

- Standard 14GA Type 300 Stainless Steel w/#4 Polish, Satin Finish
- 12" Or 14" Deep Bowls
- All Corners, Both Vertical & Horizontal, Coved At 5/8" Radius
- Bottoms Of Bowls Formed For Drainage To 3-1/2" Diameter Die Stamped Opening
- Full Length 10" High Boxed Backsplash, w/2" Return To Wall At 45 Degree & 3/4" Turned Down Rear Lip
- 8" On-Center, 1" Faucet Holes In Backsplash
- Solid Stainless Steel Front Panel, Type 300 Stainless Steel w/#4 Polish, Satin Finish
- All Outside Corners Of Assembly Are Bullnosed To Provide Safe, Clean, & Polished Edge



41PB1618-2D18

#### SPECIFICATIONS:

- Top: Stainless Steel Sinks Are Tig Welded, Exposed Welds Are Polished To Match Adjacent Surface
- Base: Stainless Steel Bases, Standard Knocked-Down
- Bowls & Top: 14GA Type 300 Stainless Steel w/#4 Polish, Satin Finish
- Legs: 1-5/8" Round O.D. Stainless Steel
- Bracing: 1-1/4" Round O.D. Stainless Steel
- Gussets: Stainless Steel
- Feet: 1" Adjustable Stainless Steel Bullet Feet

#### CERTIFICATIONS:



#### ACCESSORIES

##### MODEL

End Splashes, R, L, Or Both

Faucets

Add-A-Faucets

Pre-Rinse Units

Lever Waste

Overshelves

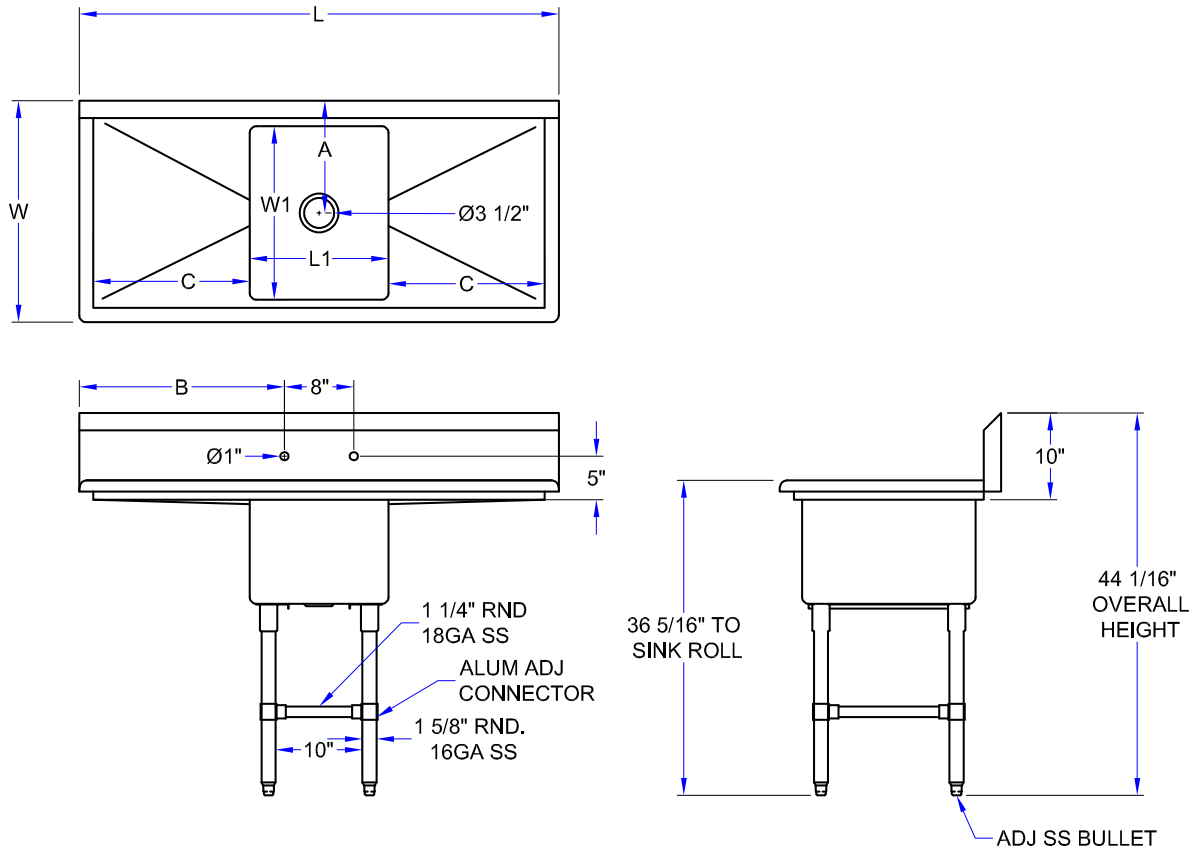
Pot Rack

### "41PB-2D" PRO-BOWL COMPARTMENT SINKS

12" DEEP (D')	WT. (LBS)	14" DEEP (D')	WT. (LBS)	OVERALL LENGTH (L)	OVERALL WIDTH (W)	INSIDE LENGTH (L')	INSIDE WIDTH (W')	A	B	C
41PB1618-2D18	74	41PB16184-2D18	77	55-1/4"	23-1/2"	16"	18"	11-15/16"	23-5/8"	18"
41PB1618-2D24	84	41PB16184-2D24	87	67-1/4"	23-1/2"	16"	18"	11-15/16"	29-5/8"	24"
41PB1620-2D18	78	41PB16204-2D18	81	55-1/4"	25-1/2"	16"	20"	12-15/16"	23-5/8"	18"
41PB1620-2D24	88	41PB16204-2D24	91	67-1/4"	25-1/2"	16"	20"	12-15/16"	29-5/8"	24"
41PB18-2D18	77	41PB184-2D18	80	57-1/4"	23-1/2"	18"	18"	11-15/16"	24-5/8"	18"
41PB18-2D24	87	41PB184-2D24	90	69-1/4"	23-1/2"	18"	18"	11-15/16"	30-5/8"	24"
41PB18-2D30	96	41PB184-2D30	99	81-1/4"	23-1/2"	18"	18"	11-15/16"	36-5/8"	30"
41PB1824-2D18	88	41PB18244-2D18	91	57-1/4"	29-1/2"	18"	24"	14-15/16"	24-5/8"	18"
41PB1824-2D24	99	41PB18244-2D24	103	69-1/4"	29-1/2"	18"	24"	14-15/16"	30-5/8"	24"
41PB1824-2D30	110	41PB18244-2D30	114	81-1/4"	29-1/2"	18"	24"	14-15/16"	36-5/8"	30"
41PB20-2D18	86	41PB204-2D18	90	42-3/16"	25-1/2"	20"	20"	12-15/16"	8-9/16"	18"
41PB20-2D24	96	41PB204-2D24	100	48-3/16"	25-1/2"	20"	20"	12-15/16"	8-9/16"	24"
41PB20-2D30	107	41PB204-2D30	110	54-3/16"	25-1/2"	20"	20"	12-15/16"	8-9/16"	30"
41PB24-2D24	107	41PB244-2D24	112	75-1/4"	29-1/2"	24"	24"	14-15/16"	33-5/8"	24"
41PB24-2D30	119	41PB244-2D30	123	87-1/4"	29-1/2"	24"	24"	14-15/16"	39-5/8"	30"
41PB3024-2D30	127	41PB30244-2D30	132	93-1/4"	29-1/2"	30"	24"	14-15/16"	42-5/8"	30"
41PB3024-2D36	138	41PB30244-2D36	143	105-1/4"	29-1/2"	30"	24"	14-15/16"	48-5/8"	36"

ALL DIMENSIONS ARE TYPICAL. TOLERANCE +/- .500". JOHN BOOS & CO. RESERVES THE RIGHT TO CHANGE SPECIFICATIONS WITHOUT NOTICE.

# DETAILED SPECIFICATIONS



## "41PB-2D" PRO-BOWL COMPARTMENT SINKS

12" DEEP (D')	WT. (LBS)	14" DEEP (D')	WT. (LBS)	OVERALL LENGTH (L)	OVERALL WIDTH (W)	INSIDE LENGTH (L')	INSIDE WIDTH (W')	A	B	C
41PB1618-2D18	74	41PB16184-2D18	77	55-1/4"	23-1/2"	16"	18"	11-15/16"	23-5/8"	18"
41PB1618-2D24	84	41PB16184-2D24	87	67-1/4"	23-1/2"	16"	18"	11-15/16"	29-5/8"	24"
41PB1620-2D18	78	41PB16204-2D18	81	55-1/4"	25-1/2"	16"	20"	12-15/16"	23-5/8"	18"
41PB1620-2D24	88	41PB16204-2D24	91	67-1/4"	25-1/2"	16"	20"	12-15/16"	29-5/8"	24"
41PB18-2D18	77	41PB184-2D18	80	57-1/4"	23-1/2"	18"	18"	11-15/16"	24-5/8"	18"
41PB18-2D24	87	41PB184-2D24	90	69-1/4"	23-1/2"	18"	18"	11-15/16"	30-5/8"	24"
41PB18-2D30	96	41PB184-2D30	99	81-1/4"	23-1/2"	18"	18"	11-15/16"	36-5/8"	30"
41PB1824-2D18	88	41PB18244-2D18	91	57-1/4"	29-1/2"	18"	24"	14-15/16"	24-5/8"	18"
41PB1824-2D24	99	41PB18244-2D24	103	69-1/4"	29-1/2"	18"	24"	14-15/16"	30-5/8"	24"
41PB1824-2D30	110	41PB18244-2D30	114	81-1/4"	29-1/2"	18"	24"	14-15/16"	36-5/8"	30"
41PB20-2D18	86	41PB204-2D18	90	42-3/16"	25-1/2"	20"	20"	12-15/16"	8-9/16"	18"
41PB20-2D24	96	41PB204-2D24	100	48-3/16"	25-1/2"	20"	20"	12-15/16"	8-9/16"	24"
41PB20-2D30	107	41PB204-2D30	110	54-3/16"	25-1/2"	20"	20"	12-15/16"	8-9/16"	30"
41PB24-2D24	107	41PB244-2D24	112	75-1/4"	29-1/2"	24"	24"	14-15/16"	33-5/8"	24"
41PB24-2D30	119	41PB244-2D30	123	87-1/4"	29-1/2"	24"	24"	14-15/16"	39-5/8"	30"
41PB3024-2D30	127	41PB30244-2D30	132	93-1/4"	29-1/2"	30"	24"	14-15/16"	42-5/8"	30"
41PB3024-2D36	138	41PB30244-2D36	143	105-1/4"	29-1/2"	30"	24"	14-15/16"	48-5/8"	36"

ALL DIMENSIONS ARE TYPICAL. TOLERANCE +/- .500". JOHN BOOS & CO. RESERVES THE RIGHT TO CHANGE SPECIFICATIONS WITHOUT NOTICE.