

7 Series ice and water dispenser

Chewblet® ice machine



NOTE: For use in applications with greater than 5 mg/l but less than 400 mg/l total dissolved solids in water and less than 200 mg/l hardness (either naturally occurring or treated with reverse osmosis or other TDS reducing technology).
Not recommended for use with softened water.



Features

Compact size, only 14.62" (37.1 cm) wide and 22.12" (56.2 cm) depth to fit under standard counters

ADA model fits under 34.00" (86.4 cm) counters

7 lb (3.2 kg) ice storage capacity

Integral air-cooled ice machine with up to 125 lb (56.7 kg) daily production of popular Chewblet ice

- designed to serve up to 50 people (201 servings per 9 hr day¹)
- soft, chewable, compressed nugget ice is preferred over cubes²
- environmentally responsible R134a refrigerant with zero ozone depletion potential
- energy saving sleep mode
- quiet production without noisy harvest cycles
- meets the Consortium for Energy Efficiency (CEE) Tier 2 specifications for highly efficient ice machines

Durable, attractive dispenser

- modern styling, stainless steel exterior with accent trim
- dispense-activated soft blue light illuminates point-of-use
- easy-to-clean, removable 20 oz (591 ml) drip tray

Designed with sanitation in mind

- Agion® silver-based antimicrobial product protection of key ice and water contact components³
- capacitive touch controls eliminate direct contact with ice

Installation

- comes fully assembled
- two easy connections – electric and water
- drainless design allows dispenser to be placed anywhere a water line can be run and eliminates the cost of a drain installation

Warranty

- 2 years parts and labor, 5 years compressor parts
- optional extended third year warranty (item# 00960732)

Accessories

Drip tray drain kit (item# 00956375)

SafeCLEAN Plus™ ice machine cleaner, refer to form# 8295

Filter cartridge, replacement 5 micron particle/carbon (item# 00968107)

For additional water treatment and other accessories refer to form# 4025

Model configurations			
Ice storage capacity	Configuration/ Height	Filter ¹	Item number
7 lb (3.2 kg)	Ice and water/ 33.50" (85.1 cm)	no filter	7UC100A-IW-NF-ST-00
		internal	7UC100A-IW-CF-ST-00
	Ice-only/ 33.50" (85.1 cm)	no filter	7UC100A-NW-NF-ST-00
		internal	7UC100A-NW-CF-ST-00
	Ice and water/ 31.50" (80.0 cm) for ADA applications	no filter	7UD100A-IW-NF-ST-00
		internal	7UD100A-IW-CF-ST-00
	Ice-only/ 31.50" (80.0 cm) for ADA applications	no filter	7UD100A-NW-NF-ST-00
		internal	7UD100A-NW-CF-ST-00

¹ Internal filter is a 5 micron particle and carbon filter.

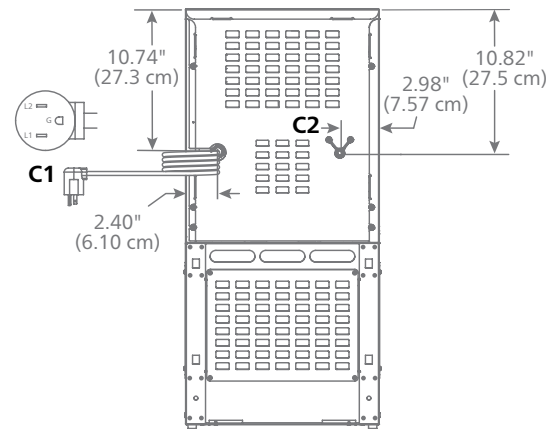
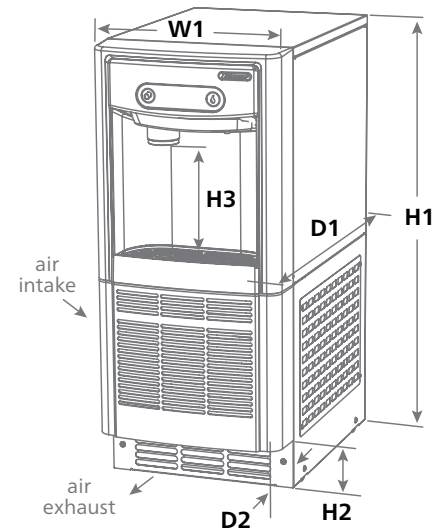
Specification

Ice storage capacity	7 lb (3.2 kg)
W1 Width	14.62" (37.1 cm)
D1 Depth	22.12" (56.2 cm)
D2 Kick recess depth	3.88" (9.86 cm)
H1 Height – 7UC100A	33.50" (85.1 cm)
H1 Height – 7UD100A	31.50" (80.0 cm)
H2 Kick recess height	4.00" (10.16 cm)
H3 Dispense height clearance	8.50" (21.59 cm)
Ventilation clearance	6.00" (15.24 cm) front of machine
Service clearance	3.00" (7.62 cm) behind
C1 115 V/60/1 electrical	5 amps. Connect to dedicated 15 amp circuit, fuse or breaker. 8' (2.4 m) cord w/ NEMA 5-15 90° plug.
C2 Water inlet	1/4" push-in
Air temperature	50 - 100 F (10 - 38 C)
Water temperature	40 - 90 F (4 - 32 C)
Water pressure	10 - 70 psi (69 - 482 kpa)
Ice production at 70 F (21 C) air and 50 F (10 C) water	125 lb (56.7 kg)
Ice production at 90 F (32 C) air and 70 F (21 C) water	100 lb (45.4 kg)
Energy consumption 90 F (32 C) air and 70 F (21 C) water	6.9 kWh per 100 lb (45.4 kg) ice
Heat rejection	1700 BTU/hr
Water consumption	12 gal (45.4 L) of potable water per 100 lb (45.4 kg) of ice
Approximate net weight	94 lb (43 kg)
Approximate shipping weight	114 lb (52 kg)

NOTE: Intended for commercial use only. Follett can't guarantee freight carrier's ability to deliver to residential locations. Follett service providers may not be bonded to perform on-site warranty repairs in certain areas.

SHORT FORM SPECIFICATION: (Choose one) Ice and water ____ or ice-only ____ dispenser to be Follett® automatic load in (choose one) ____ 33.50" (85.1 cm) tall undercounter or ____ 31.50" (80.0 cm) tall ADA undercounter configuration, with 7 lb (3.2 kg) of storage. Environmentally responsible R134a ice machine to be air-cooled. Ice machine to produce approximately 125 lb (56.7 kg) of Chewblet compressed nugget ice at air temperature of 70 F (21 C) and water temperature of 50 F (10 C). Ice machine to be equipped with printed circuit board and diagnostics to allow simplified servicing and with capacitive touch user interface. Storage area to be insulated with CARB compliant non-HFC foam. 8' (2.4 m) cord and NEMA 5-15 right angle plug provided 115 V/60/1. Dispenser ETL and NSF listed. For use in applications with greater than 5 mg/l but less than 400 mg/l total dissolved solids in water and less than 200 mg/l hardness (either naturally occurring or treated with reverse osmosis or other TDS reducing technology).

Dimensional drawing



¹ 4 oz (118 ml) of ice per cup in a 12 oz (355 ml) cup.

² Independent third party studies. Contact Follett for details.

³ Disclaimer: Antimicrobial protection is limited to the treated components and does not treat water or ice.

Agion is a registered trademark of Sciessent LLC.

SAFECLEAN PLUS is a trademark of Follett Products, LLC.

CHEWBLET and FOLLETT are registered trademarks of Follett Products, LLC, registered in the US.

Follett reserves the right to change specifications at any time without obligation.

Certifications may vary depending on country of origin.

7 Series undercounter ice and water dispenser