



RESOURCES

UNDERBAR REFRIGERATION



Use your smart phone to scan the above QR code to visit our website: www.bk-resources.com

Model:

SSB-1G-36

Back Bar Solid & Glass Door



SSB-1G-36

- **Heavy Duty Construction**
Durable 430 stainless steel top & interior with leveling feet.
- **Electronic control system**
Digital Temperature controller with automatic defrost system.
- **Eco-Friendly Hydro-Carbon Refrigerant**
R290 Refrigerant with Electric Fans, LED Lighting, and evaporative tray without electric resistances.
- **Easy Access Condenser**
Allows for easy service, even in tight spaces. Note: Airflow direction is front to back
- **Holding Temp Range: 33°F to 41°F**
- **100% Tested**
- **Self Closing Doors with permanent pressure**
- **3 Year Parts & Labor Warranty**
- **5 Year Compressor Warranty**



115/60/1
Nema-5-15P



Commercial Use Only - Not warranted for residential use

Specifications subject to change without notice

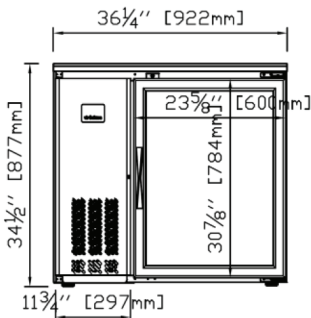
Part Number	Doors	Shelves	Amps	HP	Voltage	Nema Plug	Cord Length	Unit Size (in) (l x w x h)
SSB-1G-36	1	2	3.8	1/5	115/60/1	5-15P	8 Foot	23.75" x 36.25" x 34.50"

PRODUCT DATA SHEET

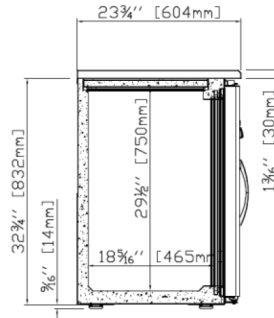
RESOURCES



ELEVATION



RIGHT VIEW



PLAN VIEW

