

## ELECTRIC TILTING SKILLET with Manual Tilt



Model ES-40

- ES-30
- ES-40

### OPERATION SHALL BE BY:

Electric heating elements equipped for operation on:

- 208 VAC, 1 phase, 50/60 Hz
- 208 VAC, 3 phase, 50/60 Hz
- 220 VAC, 1 phase, 50/60 Hz
- 220 VAC, 3 phase, 50/60 Hz
- 240 VAC, 1 phase, 50/60 Hz
- 240 VAC, 3 phase, 50/60 Hz
- 380/220 VAC, 3 phase, 50/60 Hz
- 415/240 VAC, 3 phase, 50/60 Hz

### OPTIONS & ACCESSORIES AT ADDITIONAL COST

- |  |   |   |
|--|---|---|
| <input type="checkbox"/> 380 VAC, 3 phase, 50/60 Hz              | <input type="checkbox"/> Correctional Package                                 | <input type="checkbox"/> Single pantry faucet & bracket with 60" pot filler (SP-KF) |
| <input type="checkbox"/> 415 VAC, 3 phase, 50/60 Hz              | <input type="checkbox"/> Sliding drain pan (S-SDP-2)                          | <input type="checkbox"/> Double pantry faucet & bracket with 60" pot filler (DP-KF) |
| <input type="checkbox"/> 480 VAC, 3 phase, 50/60 Hz              | <input type="checkbox"/> Pan carrier (PC-3)                                   | <input type="checkbox"/> Half size pan carrier for ES-30 when TVT ordered (PC-HP)   |
| <input type="checkbox"/> 600 VAC, 3 phase, 50/60 Hz              | <input type="checkbox"/> Steam pan insert (SPI-30, SPI-40)                    | <input type="checkbox"/> Faucet bracket (FB)  |
| <input type="checkbox"/> Etched liter markings (LMS-30, LMS-40)  | <input type="checkbox"/> 12" Single pantry faucet with swing spout (SF-12)    |   |
| <input type="checkbox"/> 2" draw off valve with strainer (TVT-2) | <input type="checkbox"/> 12" Double pantry faucet with swing spout (DF-12)    |   |
| <input type="checkbox"/> 3" draw off valve with strainer (TVT-3) | <input type="checkbox"/> 3" Stainless steel faucet plumbing enclosure (SPE-1) |   |

### STANDARD CONSTRUCTION SPECIFICATIONS

Shall be a Crown model ES-30 or ES-40, electrically heated skillet with manual tilt, c-CSA-us and NSF certified.

The unit shall have a spring assisted stainless steel cover, with full width handle, no drip condensate guide, etched gallon markings, and vent port with swing cover.

The pan shall have a sloped front and be front hinged for easy tilting pour control and comes complete with a removable pour strainer.

Pan is formed from 10 gauge 304 stainless steel with a #4 finish exterior and polished interior with coved corners for easy cleaning.

Heating shall be accomplished by electric elements cast embedded in a full 1-3/8" (35 mm) thick aluminum casting bolted to the underside of the pan for even heat distribution across the entire surface.

The pan shall be mounted on a heavy duty welded frame with stainless steel exterior supported by an all welded 1-5/8" (41 mm) stainless steel pipe frame with adjustable bullet feet and rear legs fitted with flange adjustable feet for securing to the floor.

Unit shall have a permanently lubricated, self-contained gear box tilt mechanism to allow the pan to tilt forward for complete emptying of contents.

The controls enclosure shall be designed to meet NEMA-2 and provide a degree of protection against dripping and light splashing and shall include a thermostat with OFF position and a range of 160°F - 445°F (71°C - 229°C) a thermostat indicator light, pan tilt switch that shuts elements off if tilted more than 5°, and high temperature cut-off set at 536°F (280°C).

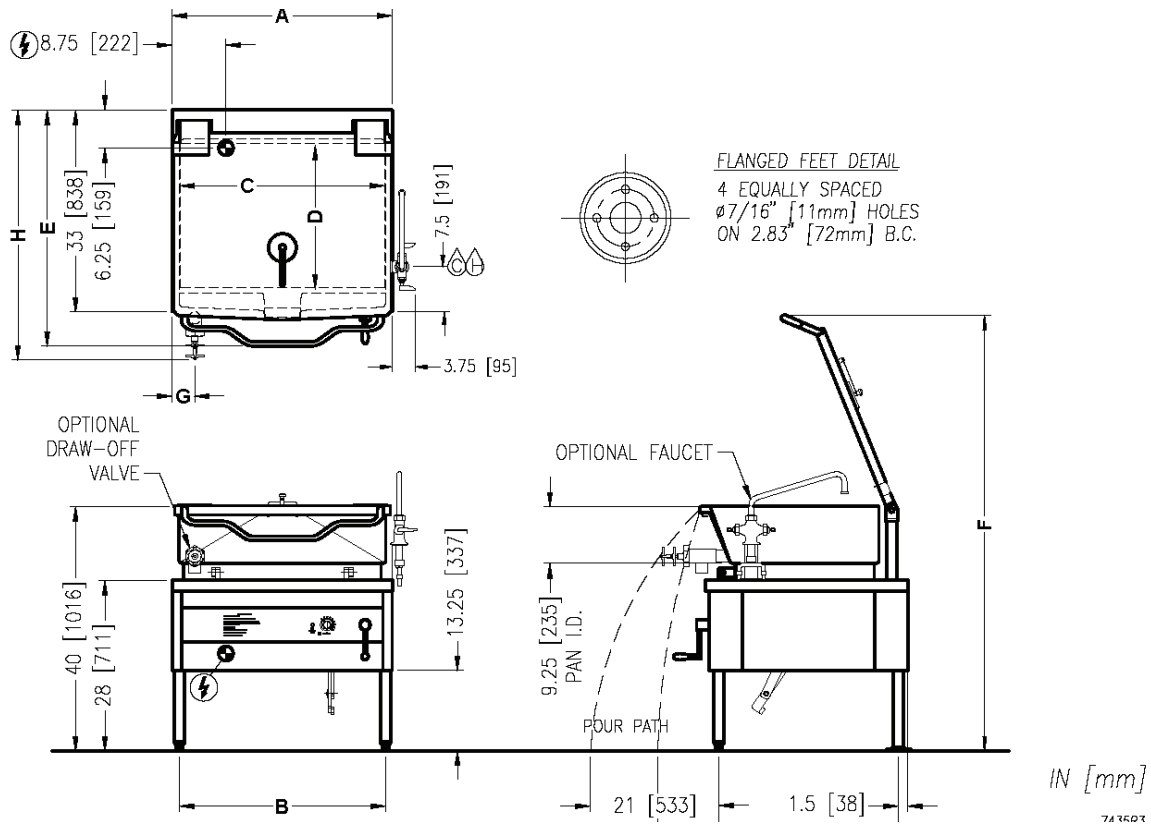


Approval Notes: \_\_\_\_\_

\_\_\_\_\_

Models:  ES-30  ES-40

ES



**WATER:** Optional faucets require 3/8" (10mm) outside-diameter tubing connection to base of each faucet.

**DIMENSIONS**

MODEL	CAPACITY	A	B	C	D	E	F	G	H	
									Ø2	Ø3
ES-30	30 Gallons (114 liters)	36" (914)	33.63" (854)	33.5" (851)	23.5" (597)	38.88" (987)	71.38" (1813)	3.75" (95)	41.13" (1045 mm)	46.75" (1187 mm)
ES-40	40 Gallons (152 liters)	48" (1219)	45.63" (1159)	43.5" (1105)	23" (584)	39.38" (1000)	70.88" (1800)	4.75" (121)	41.63" (1057 mm)	46.13" (1172 mm)

**ELECTRICAL CHARACTERISTIC**

AMPS PER LINE									
MODEL	KW	PHASE	208V	220V	240V	380V	415V	480V	600V
ES-30	12	1	57.7 A	54.5 A	50.0 A	N/A	N/A	N/A	N/A
		3	33.3 A	31.5 A	28.9 A	18.2 A	16.7 A	14.4 A	11.5 A
ES-40	18	1	86.5 A	81.8 A	75.0 A	N/A	N/A	N/A	N/A
		3	50.0 A	47.2 A	43.3 A	27.3 A	25.0 A	21.7 A	17.3 A

**SPECIFICATIONS**

MODEL	CAPACITY		
	KW	GALLON	LITER
ES-30	12	30	114
ES-40	18	40	152

MODEL	SHIPPING WEIGHT	MINIMUM CLEARANCE *	
ES-30	545 lbs. [247 kg]	Sides	0
ES-40	710 lbs. [322 kg]	Back	0

**INTENDED FOR COMMERCIAL USE ONLY.  
 NOT FOR HOUSEHOLD USE.**

