



[COMING SOON] HAND BLENDER XM-71

Professional immersion blender. 1.2 Hp.



Maximum comfort for the user

- ✓ Logical and manageable size.
- ✓ Ergo-design & bi-mat-grip: external casing made in two materials for an ergonomic hold. Anti-slip grip. Optimum inclination of handle, minimising fatigue.
- ✓ Click-on-arm: detachable arm with fast and secure closure.
- ✓ Hood designed to avoid splashes.
- ✓ Intuitive use: very simple operation. LED warning light in two colours to indicate the status of the machine.
- ✓ Possibility of continuous operation.

Built to last

- ✓ Professional performance: capable of carrying out prolonged work without the casing overheating.
- ✓ Life-plus: equipped with a motor which has passed all of the most demanding usage tests.
- ✓ Studied geometry: casing designed to avoid rolling and falling.
- ✓ Easy to clean: detachable arm, can be cleaned under the tap.
- ✓ Approved by NSF: guaranteed safety and hygiene.

INCLUDES

- ✓ Fixed speed motor block.
- ✓ MA-71 mixer arm.

ACCESSORIES

- MA-72 mixer arm.



SALES DESCRIPTION

Fixed speed motor block.

21.22" detachable arm.

Designed for continuous use in recipients of up to 211qt.

All-in-one

- ✓ Professional hand blender designed for carrying out different preparations without the need for add-on tools.
- ✓ Professional Y-blade, made from tempered steel and with a long-duration cutting edge.
- ✓ Fixed speed.
- ✓ Designed to work in recipients of up to 200 litres.



SAMMIC, S.L.
Bszarfe, 1 - 20720 Azkoitia
www.sammic.com

sammic | www.sammic.us
Food Service Equipment Manufacturer

usa@sammic.com
1225 Hartrey Avenue
60202-1056 Evanston, IL

phone +1 (224) 307-2232
toll free +1 844 275 3848



Project	Date
Item	Qty
Approved	

DYNAMIC PREPARATION
COMMERCIAL HAND BLENDERS - XM RANGE

product sheet
updated 08/03/20



[COMING SOON] HAND BLENDER XM-71

Professional immersion blender. 1.2 Hp.



SPECIFICATIONS

Total loading: 1.2 Hp
Maximum recipient capacity: 211 qt.
Motor speed: 12000 rpm
Blade diameter: 2.75 "
Blade guard diameter: 4.85 "

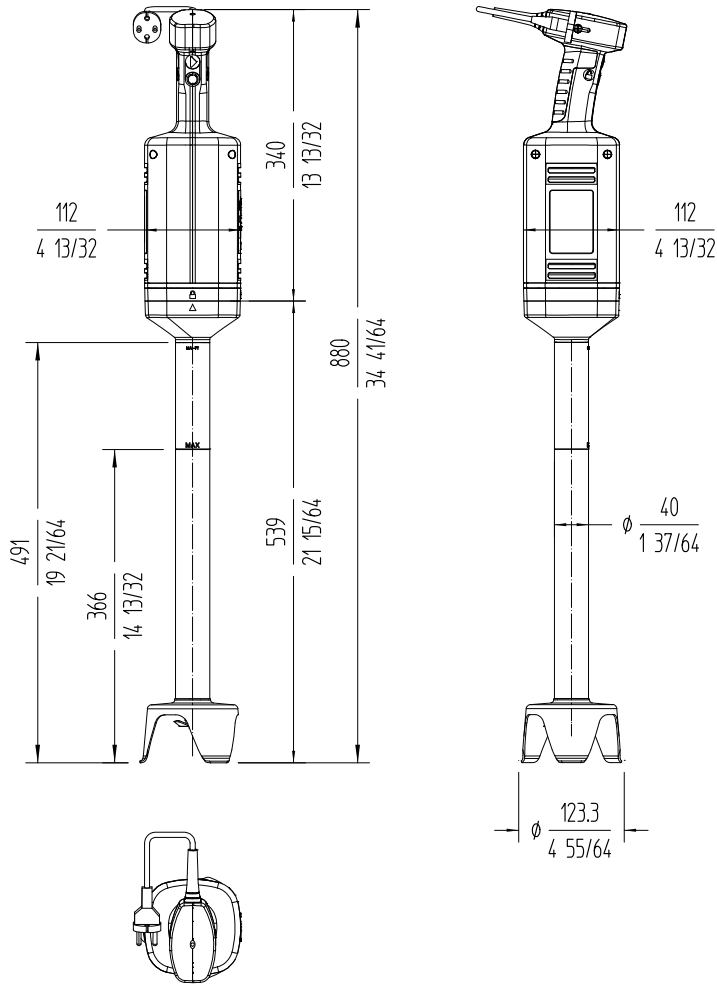
Length

Liquidising arm length: 21.22 "
Total length: 34.64 "

Net weight: 11 lbs.
Noise level (1m.): <80 dB(A)

Crated dimensions



27.2 x 12.2 x 5.1 "
Gross weight: 11.9 lbs.



DYNAMIC PREPARATION
COMMERCIAL HAND BLENDERS - XM RANGE

AVAILABLE MODELS

* Ask for special versions availability

 sammic www.sammic.us Food Service Equipment Manufacturer usa@sammic.com phone +1 (224) 307-2232 1225 Hartrey Avenue toll free +1 844 275 3848 60202-1056 Evanston, IL		Project	Date
		Item	Qty
		Approved	

product sheet
updated 08/03/20