



# Hard Maple Bakers Top Work Tables

## Stainless Steel Work Tables



Use your smart phone to scan the above QR code to visit our website:  
www.bk-resources.com

### Certifications:



### Features:

- 1 3/4" Thick Hard Maple Bakers Top
- Penetrating Oil Finish
- 34 3/4" Height
- 84" and 96" Tables Have 6 Legs
- 1 Year Warranty

### Options:

- Drawer Assemblies
- Casters
- Upgraded Bullet Feet
- Extra Shelves

### Material:

#### MBTGOB Series: Galvanized Legs

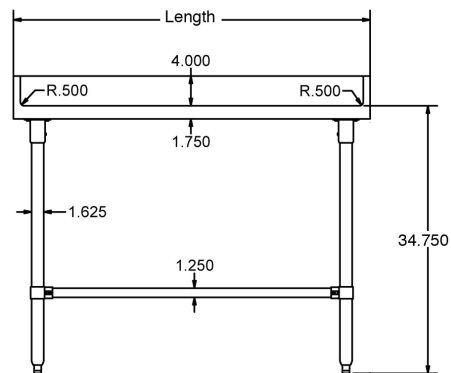
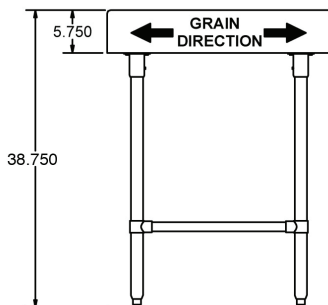
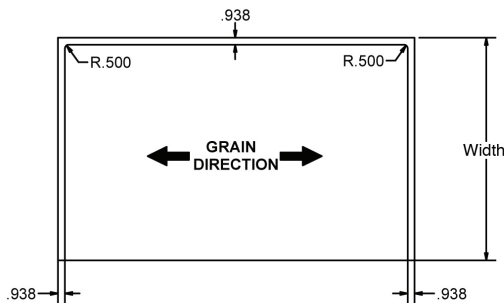
- 1 3/4" Thick Hard Maple Bakers Top
- Galvanized Legs
- Adjustable High Impact Corrosion Resistant Feet

#### MBTSOB Series: Stainless Steel Legs

- 1 3/4" Thick Hard Maple Bakers Top
- Stainless Steel Legs
- Adjustable Stainless Steel Feet

MBTGOB Series Galvanized Legs		
Length	30" Width	36" Width
48"	MBTGOB-4830	MBTGOB-4836
60"	MBTGOB-6030	MBTGOB-6036
72"	MBTGOB-7230	MBTGOB-7236
84"	-	-
96"	MBTGOB-9630	MBTGOB-9636

MBTSOB Series Stainless Steel Legs	
30" Width	36" Width
MBTSOB-4830	MBTSOB-4836
MBTSOB-6030	MBTSOB-6036
MBTSOB-7230	MBTSOB-7236
-	MBTSOB-8436
MBTSOB-9630	MBTSOB-9636



Replacement Tops Only			
Part #	Size: (l x w)	Part #	Size: (l x w)
MBT-4830	48" x 30"	MBT-4836	48" x 36"
MBT-6030	60" x 30"	MBT-6036	60" x 36"
MBT-7230	72" x 30"	MBT-7236	72" x 36"
MBT-9630	96" x 30"	MBT-9636	96" x 36"

PRODUCT DATA SHEET

BK RESOURCES

