

"2PB-2D" PRO-BOWL COMPARTMENT SINKS

2 Compartment w/2 Drain Boards - 16GA w/Stainless Steel Base

FEATURES:

- Standard 16GA Type 300 Stainless Steel w/#4 Polish, Satin Finish
- 12" Or 14" Deep Bowls
- All Corners, Both Vertical & Horizontal, Coved At 5/8" Radius
- Bottoms Of Bowls Formed For Drainage To 3-1/2" Diameter Die Stamped Opening
- Full Length 10" High Boxed Backsplash, w/2" Return To Wall At 45 Degree & 3/4" Turned Down Rear Lip
- 8" On-Center, 1" Faucet Holes In Backsplash
- Solid Stainless Steel Front Panel, Type 300 Stainless Steel w/#4 Polish, Satin Finish
- All Outside Corners Of Assembly Are Bullnosed To Provide Safe, Clean, & Polished Edge

SPECIFICATIONS:

- Top: Stainless Steel Sinks Are Tig Welded, Exposed Welds Are Polished To Match Adjacent Surface
- Base: Stainless Steel Bases, Standard Knocked-Down
- Bowls & Top: 16GA Type 300 Stainless Steel w/#4 Polish, Satin Finish
- Legs: 1-5/8" Round O.D. Stainless Steel
- Bracing: 1-1/4" Round O.D. Stainless Steel
- Gussets: Stainless Steel
- Feet: 1" Adjustable Stainless Steel Bullet Feet

CERTIFICATIONS:



2PB1618-2D18

ACCESSORIES

MODEL

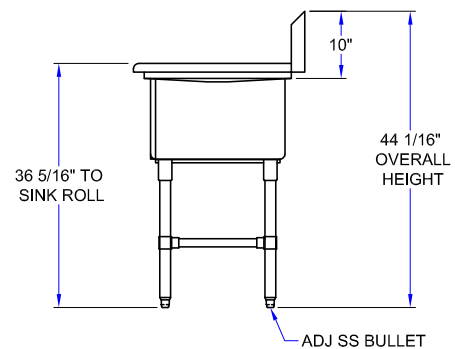
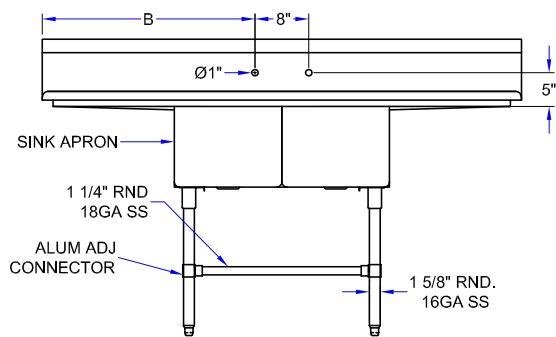
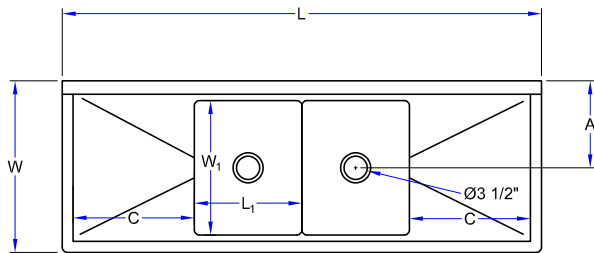
- End Splashes, R, L, Or Both
- Faucets
- Add-A-Faucets
- Pre-Rinse Units
- Lever Waste
- Overshelves
- Pot Rack

"2PB-2D" PRO-BOWL COMPARTMENT SINKS

12" DEEP (D')	WT. (LBS)	14" DEEP (D')	WT. (LBS)	OVERALL LENGTH (L)	OVERALL WIDTH (W)	INSIDE LENGTH (L')	INSIDE WIDTH (W')	A	B	C
2PB1618-2D18	90	2PB16184-2D18	95	71-1/4"	23-1/2"	16"	18"	11-15/16"	31-5/8"	18"
2PB1618-2D24	97	2PB16184-2D24	103	83-1/4"	23-1/2"	16"	18"	11-15/16"	37-5/8"	24"
2PB1620-2D18	94	2PB16204-2D18	99	71-1/4"	25-1/2"	16"	20"	12-15/16"	31-5/8"	18"
2PB1620-2D24	102	2PB16204-2D24	107	83-1/4"	25-1/2"	16"	20"	12-15/16"	37-5/8"	24"
2PB18-2D18	94	2PB184-2D18	100	75-1/4"	23-1/2"	18"	18"	11-15/16"	33-5/8"	18"
2PB18-2D24	102	2PB184-2D24	108	87-1/4"	23-1/2"	18"	18"	11-15/16"	39-5/8"	24"
2PB18-2D30	110	2PB184-2D30	115	99-1/4"	23-1/2"	18"	18"	11-15/16"	45-5/8"	30"
2PB1824-2D18	107	2PB18244-2D18	114	75-1/4"	29-1/2"	18"	24"	14-15/16"	33-5/8"	18"
2PB1824-2D24	116	2PB18244-2D24	123	87-1/4"	29-1/2"	18"	24"	14-15/16"	39-5/8"	24"
2PB1824-2D30	125	2PB18244-2D30	132	99-1/4"	29-1/2"	18"	24"	14-15/16"	45-5/8"	30"
2PB20-2D18	107	2PB204-2D18	113	79-1/4"	25-1/2"	20"	20"	12-15/16"	35-5/8"	18"
2PB20-2D24	115	2PB204-2D24	121	91-1/4"	25-1/2"	20"	20"	12-15/16"	41-5/8"	24"
2PB20-2D30	123	2PB204-2D30	129	103-1/4"	25-1/2"	20"	20"	12-15/16"	47-5/8"	30"
2PB24-2D24	131	2PB244-2D24	139	99-1/4"	29-1/2"	24"	24"	14-15/16"	45-5/8"	24"
2PB24-2D30	140	2PB244-2D30	148	111-1/4"	29-1/2"	24"	24"	14-15/16"	51-5/8"	30"
2PB3024-2D30	155	2PB30244-2D30	163	123-1/4"	29-1/2"	30"	24"	14-15/16"	57-5/8"	30"
2PB3024-2D36	164	2PB30244-2D36	172	135-1/4"	29-1/2"	30"	24"	14-15/16"	63-5/8"	36"

ALL DIMENSIONS ARE TYPICAL. TOLERANCE +/- .500". JOHN BOOS & CO. RESERVES THE RIGHT TO CHANGE SPECIFICATIONS WITHOUT NOTICE.

DETAILED SPECIFICATIONS



"2PB-2D" PRO-BOWL COMPARTMENT SINKS

12" DEEP (D')	WT. (LBS)	14" DEEP (D')	WT. (LBS)	OVERALL LENGTH (L)	OVERALL WIDTH (W)	INSIDE LENGTH (L')	INSIDE WIDTH (W')	A	B	C
2PB1618-2D18	90	2PB16184-2D18	95	71-1/4"	23-1/2"	16"	18"	11-15/16"	31-5/8"	18"
2PB1618-2D24	97	2PB16184-2D24	103	83-1/4"	23-1/2"	16"	18"	11-15/16"	37-5/8"	24"
2PB1620-2D18	94	2PB16204-2D18	99	71-1/4"	25-1/2"	16"	20"	12-15/16"	31-5/8"	18"
2PB1620-2D24	102	2PB16204-2D24	107	83-1/4"	25-1/2"	16"	20"	12-15/16"	37-5/8"	24"
2PB18-2D18	94	2PB184-2D18	100	75-1/4"	23-1/2"	18"	18"	11-15/16"	33-5/8"	18"
2PB18-2D24	102	2PB184-2D24	108	87-1/4"	23-1/2"	18"	18"	11-15/16"	39-5/8"	24"
2PB18-2D30	110	2PB184-2D30	115	99-1/4"	23-1/2"	18"	18"	11-15/16"	45-5/8"	30"
2PB1824-2D18	107	2PB18244-2D18	114	75-1/4"	29-1/2"	18"	24"	14-15/16"	33-5/8"	18"
2PB1824-2D24	116	2PB18244-2D24	123	87-1/4"	29-1/2"	18"	24"	14-15/16"	39-5/8"	24"
2PB1824-2D30	125	2PB18244-2D30	132	99-1/4"	29-1/2"	18"	24"	14-15/16"	45-5/8"	30"
2PB20-2D18	107	2PB204-2D18	113	79-1/4"	25-1/2"	20"	20"	12-15/16"	35-5/8"	18"
2PB20-2D24	115	2PB204-2D24	121	91-1/4"	25-1/2"	20"	20"	12-15/16"	41-5/8"	24"
2PB20-2D30	123	2PB204-2D30	129	103-1/4"	25-1/2"	20"	20"	12-15/16"	47-5/8"	30"
2PB24-2D24	131	2PB244-2D24	139	99-1/4"	29-1/2"	24"	24"	14-15/16"	45-5/8"	24"
2PB24-2D30	140	2PB244-2D30	148	111-1/4"	29-1/2"	24"	24"	14-15/16"	51-5/8"	30"
2PB3024-2D30	155	2PB30244-2D30	163	123-1/4"	29-1/2"	30"	24"	14-15/16"	57-5/8"	30"
2PB3024-2D36	164	2PB30244-2D36	172	135-1/4"	29-1/2"	30"	24"	14-15/16"	63-5/8"	36"

ALL DIMENSIONS ARE TYPICAL. TOLERANCE +/- .500". JOHN BOOS & CO. RESERVES THE RIGHT TO CHANGE SPECIFICATIONS WITHOUT NOTICE.