

CICLONE 20 - 28 - 36 CICLONE 20 VV - 28 VV - 36 VV

Immersion blenders, compact



Certified to UL 763 and NSF 08
Certified to CSA C22.2



- 10" (250 mm) and 14" (350 mm) interchangeable, easy to replace stainless steel shafts
- Lightweight and ergonomically designed to reduce muscle strain and fatigue
- Prepares mixtures, soups and sauces, liquefies soups, purees fruits and vegetables directly into the cooking pot
- Safety switch and lock button
- Double insulation motor with effective ventilation system prevents overheating, machine works longer
- Drill-like variable speed control available (VV versions)

Features

Technical:

- Effective ventilation system prevents overheating, so that the machine keeps working longer.
- Exclusive drill-like blade speed control makes operation easier and give you better results.
- Exclusive feed tube "bayonet" slot. Less time is required to replace shafts and whip.
- High quality material used gives machine longer life.

Safety:

- Machine can be turned on only using both hands. Avoids possible hand injuries.
- Double insulation from water keeps electrical parts safe.

Sanitary:

- ABS plastic and stainless steel components guarantee maximum hygiene.
- The shafts and the whip can be easily disassembled for fast and thorough cleaning. Disassembling tool comes standard.

Specifications

Construction:

Highly resistant ABS plastic with aluminum and steel details.

Motor 20:

(200W), gear-driven.

Motor 28:

(280W), gear-driven.

Motor 36:

(360W), gear-driven.

Electrical 20:

120V AC, 60Hz, 1.65 A.

Electrical 28:

120V AC, 60Hz, 1.9 A.

Electrical 36:

120V AC, 60Hz, 2.5 A.

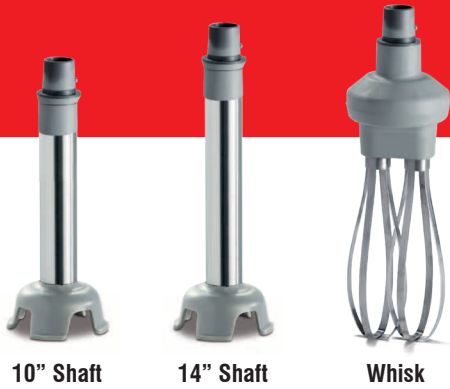
Plug & Cord:

Attached plug, flexible, 2 wire SJ 16 AWG, 8" long cord.

Controls:

Drill-like push button. On VV versions also controls blade RPM. Can be activated only when safety locking button is pressed. Second locking button keeps machine at full speed.





10" Shaft

14" Shaft

Whisk



Feed tube "bayonet" slot. Changing shaft is quick & easy.



ON/OFF system. Machine must be turned on using both hands. More safety!

CAPACITY CHART

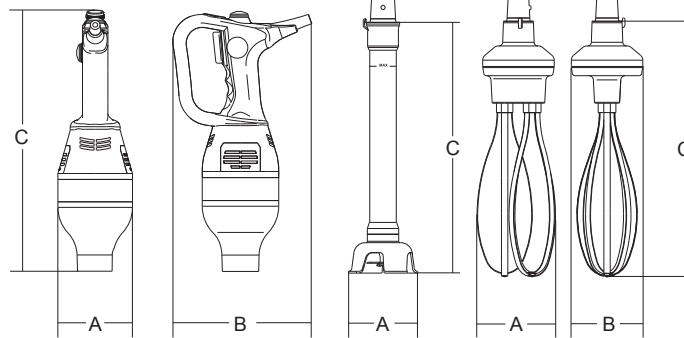
		Model		
		Ciclone 20	Ciclone 28	Ciclone 36
SHAFT LENGTH	10"	8 gal.	10 gal.	12 gal.
	250 mm	32 qts. 30 lt.	40 qts. 38 lt.	48 qts. 45 lt.
	14"	10 gal.	12 gal.	15 gal.
	350" mm	40 qts. 38 lt.	48 qts. 45 lt.	60 qts. 57 lt.



Ergonomic handle



Exclusive ventilation system. Machine works longer!



	Power	Power source	Blede RPMs	A	B	C	Net weight	Shipping	Gross weight
	watt/Hp		r.p.m.	inch.	inch.	inch.	lbs.	inch.	lbs.
Ciclone 20	200/0.25	120V AC, 60Hz, 1.65 Amp	12.000	3 ¹⁵ / ₁₆ "	7 ³ / ₁₆ "	13 ³ / ₈ "	4	17 ⁵ / ₁₆ "x 13"x 5 ⁷ / ₈ "	9
Ciclone 20 VV	200/0.25	120V AC, 60Hz, 1.65 Amp	1.000 ÷ 12.000	3 ¹⁵ / ₁₆ "	7 ³ / ₁₆ "	13 ³ / ₈ "	4	17 ⁵ / ₁₆ "x 13"x 5 ⁷ / ₈ "	9
Ciclone 28	280/0.35	120V AC, 60Hz, 1.9 Amp	12.000	3 ¹⁵ / ₁₆ "	7 ³ / ₁₆ "	13 ³ / ₈ "	5	17 ⁵ / ₁₆ "x 13"x 5 ⁷ / ₈ "	9
Ciclone 28 VV	280/0.35	120V AC, 60Hz, 1.9 Amp	1.000 ÷ 12.000	3 ¹⁵ / ₁₆ "	7 ³ / ₁₆ "	13 ³ / ₈ "	5	17 ⁵ / ₁₆ "x 13"x 5 ⁷ / ₈ "	9
Ciclone 36	360/0.50	120V AC, 60Hz, 2.5 Amp	12.000	3 ¹⁵ / ₁₆ "	7 ³ / ₁₆ "	13 ¹¹ / ₁₆ "	6	17 ⁵ / ₁₆ "x 13"x 5 ⁷ / ₈ "	9
Ciclone 36 VV	360/0.50	120V AC, 60Hz, 2.5 Amp	1.000 ÷ 12.000	3 ¹⁵ / ₁₆ "	7 ³ / ₁₆ "	13 ¹¹ / ₁₆ "	6	17 ⁵ / ₁₆ "x 13"x 5 ⁷ / ₈ "	9
Shaft 10"	-	-	-	Ø 3 ¹¹ / ₁₆ "	-	9 ¹³ / ₁₆ "	-	-	-
Shaft 14"	-	-	-	Ø 3 ¹¹ / ₁₆ "	-	12 ⁵ / ₈ "	-	-	-
Whisk	-	-	-	4 ³ / ₁₆ "	4 ⁷ / ₁₆ "	13 ¹¹ / ₁₆ "	2	20 ¹ / ₂ "x 8 ¹⁴ / ₁₆ "x 9 ¹³ / ₁₆ "	4