

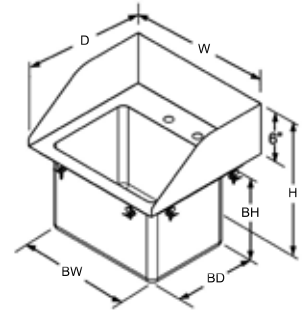
Drop-In Hand Sinks & Splash Guards

Drop-In Hand Sink With 3 Side Splashes

HS-1410IS



- 3 sided splash guards, sides and rear
- Polished finish stainless steel
- All welded construction
- Includes 4" deck mount faucet
- 1-7/8" NPS drain outlet
- Faucet & strainer included



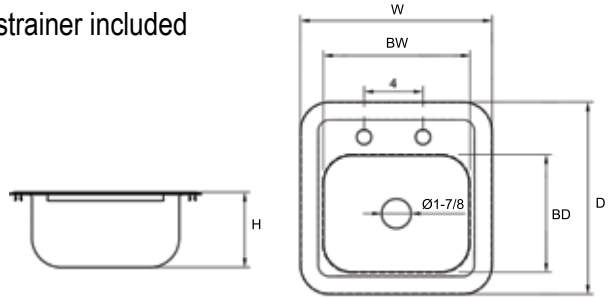
Item No.	D x W x H (in)	BD x BW x BH (in)	Cut-out Size (in)	G. W. (lb)
HS-1014IS	19-1/8 x 13-1/8 x 16	14 x 10 x 10	18-3/8 x 12-1/8"	13.2
HS-1410IS	15-1/4 x 17-1/4 x 16	10 x 14 x 10	14-1/2 x 16-3/8	13.2

Regular Drop-In Hand Sink

HS-0810I



- Faucet & strainer included



Order No.	D x W x H (in)	Cut Out Size (in)	BD (in)	BW (in)	G. W. (lb)
HS-0810IG	13 x 13 x 5	12-1/2 x 12-1/2	8	10	6
HS-1317IG	13 x 17-1/2 x 6-3/8	16-1/2 x 12-1/2	13-1/2	11	7
HS-1615IG	15-3/4 x 15-1/4 x 6-1/2	13-1/2 x 14-1/8	11-1/4	13-1/2	7
HS-2017IG	20-1/4 x 17 x 7	14 x 18-1/2	12-3/4	17-7/8	10

Hand Sink Splash Guards

Deck Mount



Wall Mount



Item No.	W x H (in)	Mounting Style	For Hand Sink	G. W. (lb)	Qty. /case
SP-S1506	15 x 6	Deck Mount	HS1317IH, HS-1615I, HS-2017	15	10
SP-S1512	12 x 15	Wall Mount	HS-1615W	30	10
SP-S1520	20 x 15	Wall Mount	HS-1615W	44	10
SP-S1712	12 x 17	Wall Mount	HS-1217W	33	10

- 18 gauge stainless steel mounting splash guard for hand sink

