

# BACK BAR EQUIPMENT

## Model: **KC50SNSS**

Natural Refrigerant R-290 Model

### 50" Keg Cooler - Shallow Depth

Stainless steel exterior, countertop, interior back and side panels with reinforced stainless steel floor.



## Options and Accessories

(upcharge and lead times may apply)

Epoxy coated or stainless steel shelves	Single, dual, or triple faucets
Wine racks	Tower placement (consult factory)
Hinged glass door(s) (consult factory)	Faucet locks
Food storage rated stainless steel interior (NSF-7)	Casters or legs
Condensing unit on right (standard left)	Riser base*

Consult factory for other model configurations, options and accessories.

\* Adding a Riser Base increases overall height 2"

**Continental**<sup>®</sup>  
Refrigerator



Project Name:

Model Specified:

Location:

Item No:

Quantity:

AIA #:

SIS #:

## Standard Model Features

### REFRIGERATION SYSTEM

Performance rated front breathing refrigeration system

Natural, environmentally safe, high efficiency R-290 refrigerant<sup>1</sup>

Automatic, hot gas condensate evaporator

Extra large, balanced evaporator coil

### CABINET ARCHITECTURE

High density, non-CFC polyurethane foamed-in-place insulation

Front, rear and side venting louvered grills

Magnetic snap in Santoprene™ door gaskets

Cylinder-keyed security lock in each door

Stainless steel reinforced threshold

### MODEL FEATURES

Low profile cabinet design

Electronic control, off cycle defrost

Continuously cooled, 3" diameter beer column with lever faucet, CO<sub>2</sub> pressure relief distributor and CO<sub>2</sub> tubing with clamps

Easily removable stainless steel drip grate with convenient front mounted cleanout drainage hose (pan not removable)

Easily accessible and serviceable condensing unit

<sup>1</sup> R-290 refrigerant meets all federal and state regulatory requirements.

APPROVAL:

## Model Specifications

### DIMENSIONAL DATA

Net Capacity (cubic feet)	13 (368 l)
Width, Overall (inches)	50 (1270 mm)
Depth, Overall (inches) (including handles & bumpers)	25 $\frac{3}{16}$ (640 mm)
Depth, Body Only (inches) (less doors)	21 (533 mm)
Height, Overall (inches) (not including column)	34 $\frac{3}{4}$ (883 mm)
Capacity: # Barrel Kegs	0
Capacity: # Straight Wall Kegs	2
Capacity : # $\frac{1}{6}$ Size Kegs	6
Number of Doors	2
Number of Beer Columns (with dual faucets)	1

### REFRIGERANT DATA

Condensing Unit Size (H.P.)	$\frac{1}{4}$
R-290 Refrigerant Charge (oz)	2.5
Capacity (BTU per hour)*	1930

### ELECTRICAL DATA

Voltage (International)	115/60/1 (220/50/1)
Feed Wires (including ground)	3
Total Amps (International)	2.9 (1.5)
10 ft. Cord/Plug [attached] (International)	Yes (No)

### SHIPPING DATA

Weight (pounds)	390 (190 kg)
Height - Crated (inches)	44 (1168 mm)
Width - Crated (inches)	56 (1473 mm)
Depth - Crated (inches)	34 (1067 mm)

\* Rating @ +25°F evaporator, 90°F ambient  
Figures in parentheses reflect metric equivalents rounded to the nearest whole unit.



Equipped with one NEMA-5-15P Plug  
(varies by country)

**Continental**  
Refrigerator

Toll-Free: 800-523-7138  
Phone: 215-244-1400  
Fax: 215-244-9579

539 Dunksferry Road  
Bensalem, PA 19020  
[www.continentalrefrigerator.com](http://www.continentalrefrigerator.com)

Due to our continued efforts in developing innovative products, specifications subject to change without notice.

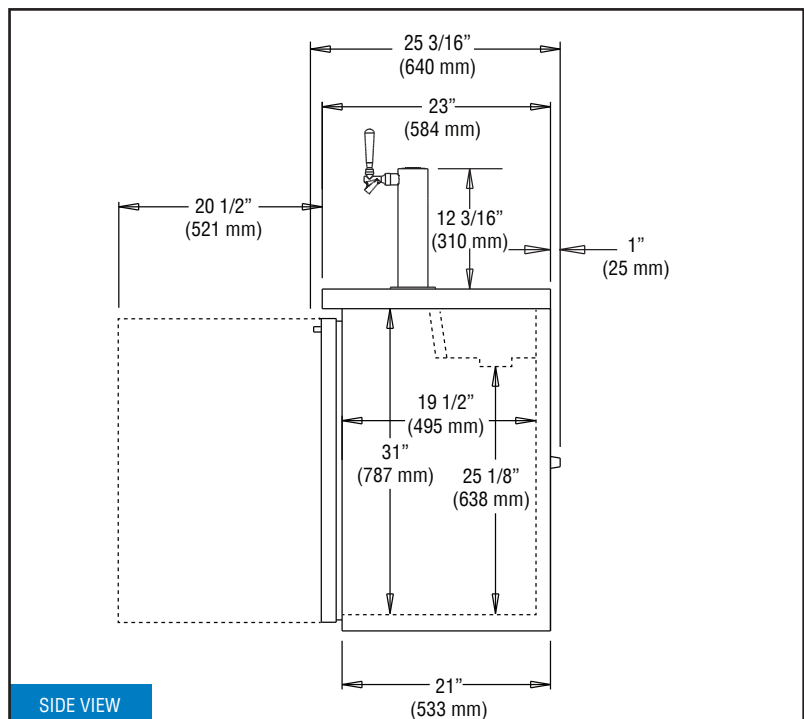
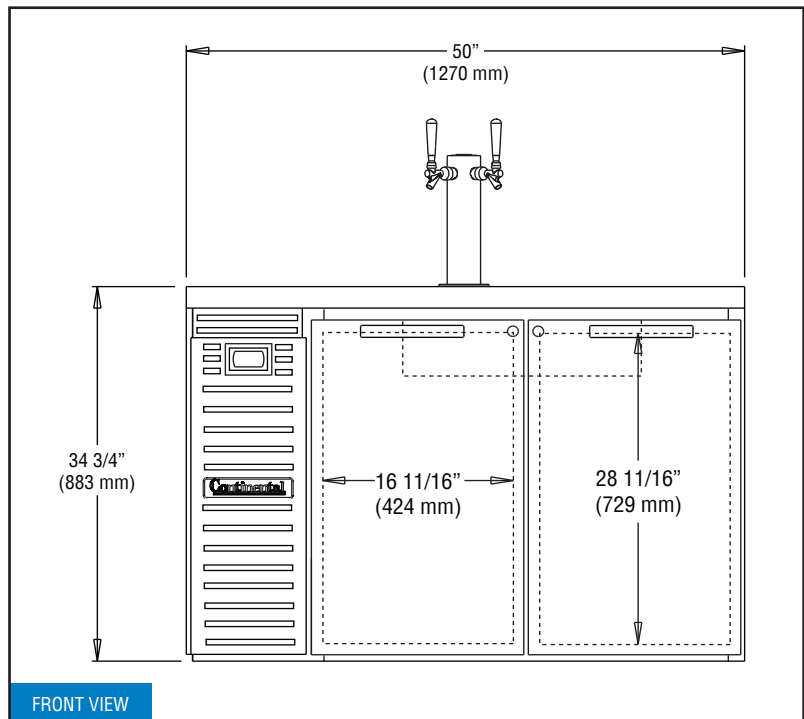


PROUDLY  
DESIGNED & ASSEMBLED  
IN THE U.S.A.

Intertek

© Copyright 2021. Continental Refrigerator.

## Model Plan Views



**IMPORTANT NOTE:** Models are completely front breathing and take in and exhaust air through the front grill. For proper operation, the area in front of the cabinet **must** not be obstructed in any way. A clearance of 1" on the back and 3" on the sides is recommended.

REVISED: 4/29/26