

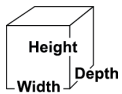
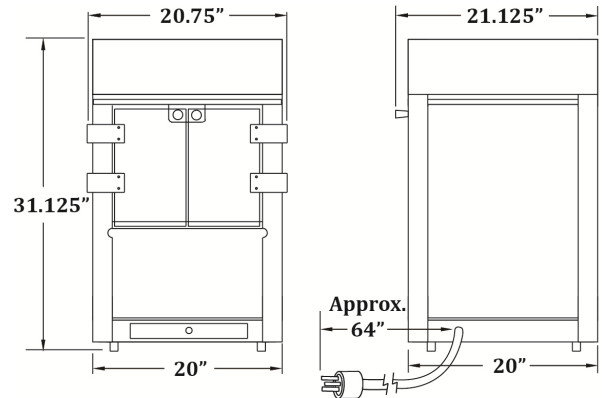


GOLD MEDAL® PRODUCTS CO.

Lil' Maxx

Model No. 2389

Specifications



Overall Dimensions:

Width: 20.75"
Depth: 21.125"
Height: 31.125"

Features:

- 8 oz. Stainless Steel Kettle
- Ideal Cart 2148CR (sold separately)
- Spacer 13318 (sold separately)

Electrical - Domestic

120V
1250 WATTS 60 Hz
(NEMA 5-15P) Plug

Plug Type:



Agency Approvals:



Gold Medal Products Co.
10700 Medallion Drive, Cincinnati, OH 45241

Ph: (513) 769-7676, (800) 543-0862; Fax: (513) 769-8500
gmpopcorn.com info@gmpopcorn.com