



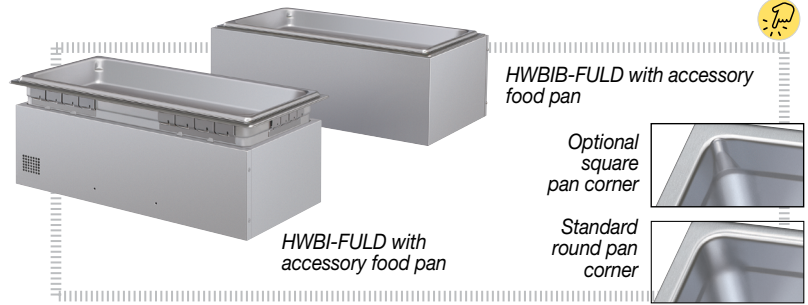
Project _____

Item # _____

Quantity _____

Built-In Full-Size Insulated Heated Wells

Models: HWBLI-FUL, -FULD, -FULDA, HWBLIB-FUL, -FULD, -FULDA, HWBI-FUL, -FULD, -FULDA, HWBIB-FUL, -FULD, -FULDA, HWBHI-FUL, -FULD, -FULDA, HWBHIB-FUL, -FULD, -FULDA



Hatco insulated Built-In Heated Wells hold heated food at safe serving temperatures longer. Compared to other models, Hatco units offer a larger drain with a flat drain screen, more consistent holding temperatures, heavier stainless steel construction, easier-to-service design for quick change of components and a remote thermostat with separate power switch.

Standard features

- Insulated rectangular full-size well in top or bottom mount
- Fully insulated wells on sides and bottom ensure better heat retention, and cooler surrounding surfaces for customer safety
- Separate lighted ON/OFF rocker switch and temperature dial for easy operation
- Low (120V only), Standard and High Watt
- Available with or without a drain (easy to clean with a larger drain and a flat screen)
- Easy access design allows for quick element or thermostat change
- EZ locking hardware for quick installation
- Thicker stainless steel construction and solid brazed joints for durability

Options (available at time of purchase only)

- Additional High Temp Power Supply Lead Wire available in one foot (305 mm) increments (Lead wire only – the lead wire extensions beyond the standard 3' conduit whip) **Models are shipped standard with 1' [305 mm] of lead wire extensions**
- Flexible Conduit between the control and the Rectangular Heated Well
 - Standard Flexible Conduit 36" (914 mm)
 - Flexible Conduit 72" (1829 mm)
- Optional Cord (In lieu of conduit and lead wire, low watt models in 120V only):
 - HWBI-FUL, -FULD models (not available in auto-fill)
 - HWBIB-FUL, -FULD, -FULDA models
- Mounting Bracket for insulated Bottom Mount (HWBIB series)
- Control Box (Options not available for Auto-fill):
 - Standard Thermostat with 6' (1829 mm) Capillary (Standard 120V)
 - ITC Control with Large Control (Not available for low watt, auto-fill configurations or units without a drain)
 - Larger Recessed Thermostatic Control (Standard for 220/240V and not available for auto-fill configurations)
 - WM Control Assembly Replacement (Not available for auto-fill or export)
- Control Box Bezel in *Designer Colors* (Not available for any unit with the Optional Cord, Nonstandard colors are non-returnable, Stainless Steel is standard)
 - Warm Red
 - Black
 - Gray Granite
 - White Granite
 - Navy Blue
 - Hunter Green
 - Antique Copper
- Pan Corners (In lieu of standard round pan corners)
 - Square Pan Corners

Accessories

- Rectangular Full-Size Stainless Steel Food Pans:
 - Third-Size (2.5" [64 mm] H)
 - Half-Size (2.5" [64 mm] H)
 - Full-Size (2.5" [64 mm] H)
 - Full-Size (4" [101 mm] H)
 - Full-Size (6" [152 mm] H)
- Round Food Pans:
 - 4 Quart (4 Liter)
 - 7 Quart (7 Liter)
- Hinged Lid for Round Pans:
 - 4 Quart (4 Liter)
 - 7 Quart (7 Liter)
- Notched Lid for Round Pans:
 - 4 Quart (4 Liter)
 - 7 Quart (7 Liter)
- Stainless Steel Wire Trivets:
 - Half-Size
 - Full-Size
- Adapter to Convert Warmers to hold Round Pans
 - Holds three 4-Quart (4-Liter) Inserts
 - Holds two 7-Quart (7-Liter) Inserts
- Mounting Kit (not necessary for Bottom Mount models) for:
 - Combustible Countertops
 - Thick Countertops
- Mounting Bracket for HWBIB series
- Support Bars:
 - 12" (305 mm)
 - 20" (508 mm)
- 3/4" Ball Valve for Unit with Drains
- 3/4" Gate Valve for Unit with Drains
- Heated Well Remote Handle for 3/4" drains (Includes a Ball Valve)

IFS anti-microbial coatings use naturally-occurring, environmentally sustainable, silver ions to help inhibit the growth of microbes on the powder coated surface. See www.hatcocorp.com/antimicrobial-paint for more information.

For operation, location and safety information, please refer to the Installation and Operating Manual.



HATCO CORPORATION | P.O. Box 340500 Milwaukee, WI 53234-0500 U.S.A. | (800) 558-0607 | (414) 671-6350

www.hatcocorp.com | support@hatcocorp.com | [Find a Hatco Rep](#) | [Image Library](#) | [Document Library](#) | [Patents](#) | [Chat](#)



Built-In Full-Size Insulated Heated Wells

Models: HWBLI-FUL, -FULD, -FULDA, HWBLIB-FUL, -FULD, -FULDA, HWBI-FUL, -FULD, -FULDA, HWBIB-FUL, -FULD, -FULDA, HWBHI-FULD, -FULDA, HWBHIB-FULD, -FULDA

Ordering Instructions

(Please specify the following with each order)

1. **Desired Voltage:** 120, 208, 220 or 240V
(export voltage available)

2. **Pan Corners**

- A. Rounded
- B. Square

3. **Drain** (With or without)

4. **Auto-fill** (With or without)

5. **Mounting Style**

- A. Top Mounted
- B. Bottom Mounted

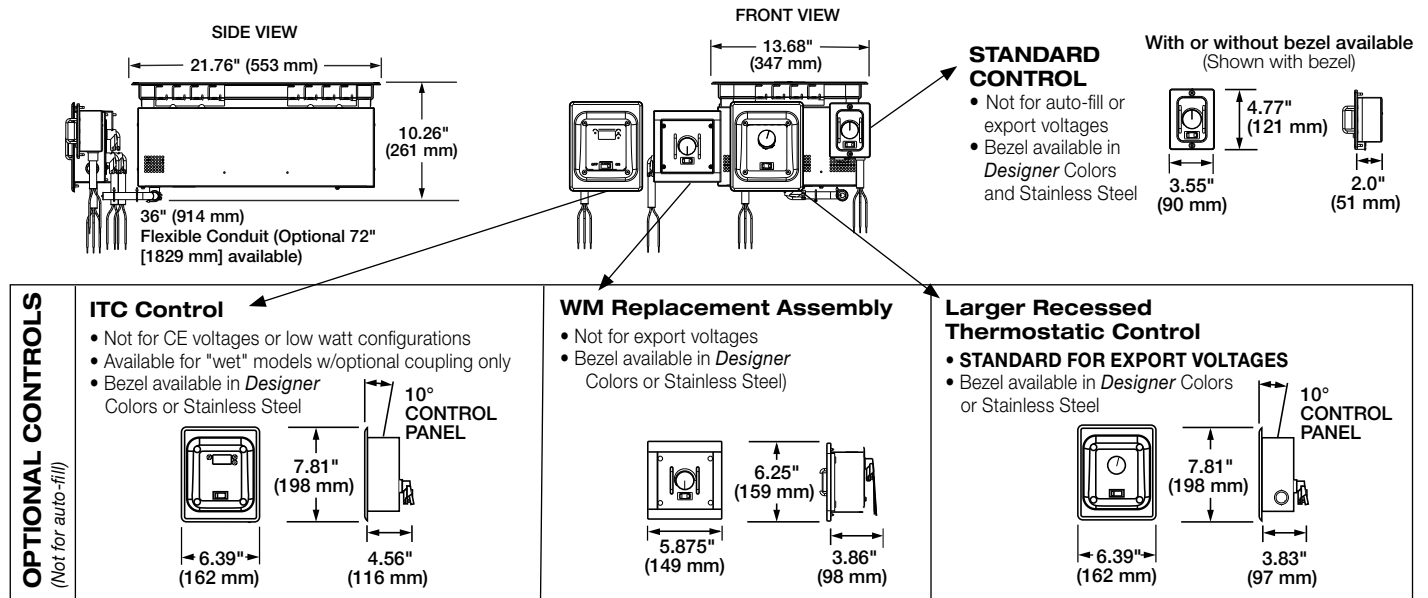
6. **Wattage**

- A. High Watt
- B. Standard Watt
- C. Low Watt (120V only)

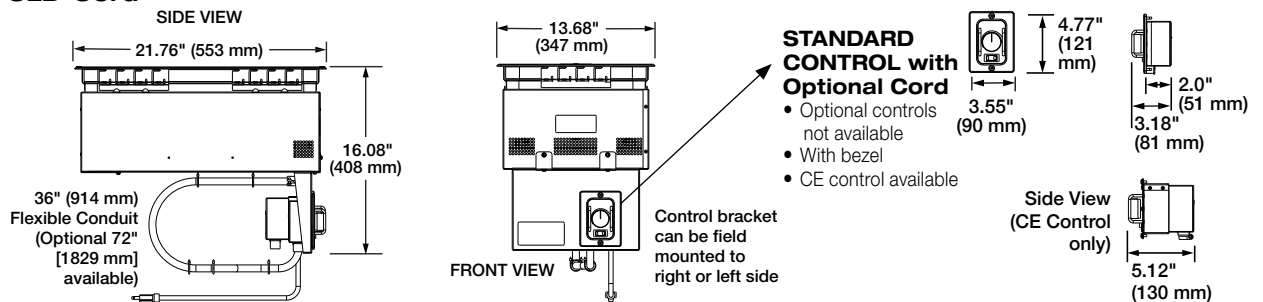
7. **Agency:**

- A. UL, C-UL
- B. UL-EPH (Sanitary listing)
- C. CE mark available

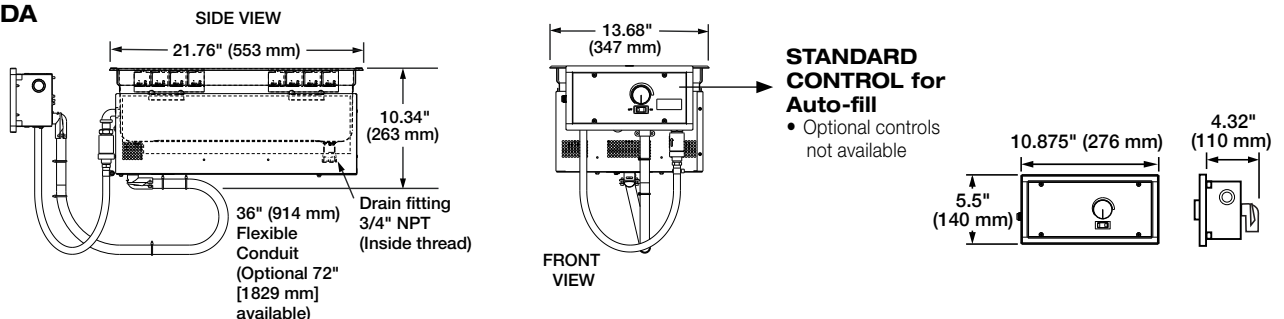
Insulated Top Mount Heated Wells — HWBI-FUL, FULD



HWBI-FUL, -FULD-Cord



HWBI-FULDA (Auto-fill)



HATCO CORPORATION | P.O. Box 340500 Milwaukee, WI 53234-0500 U.S.A. | (800) 558-0607 | (414) 671-6350



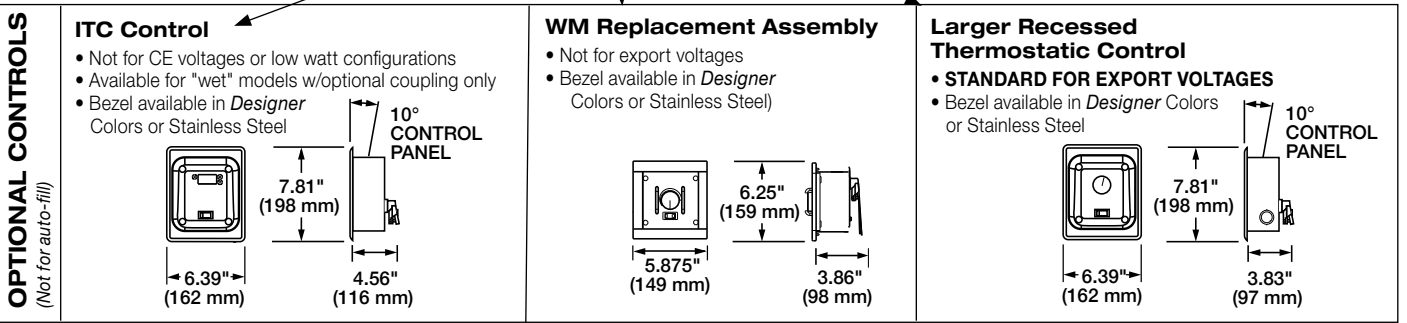
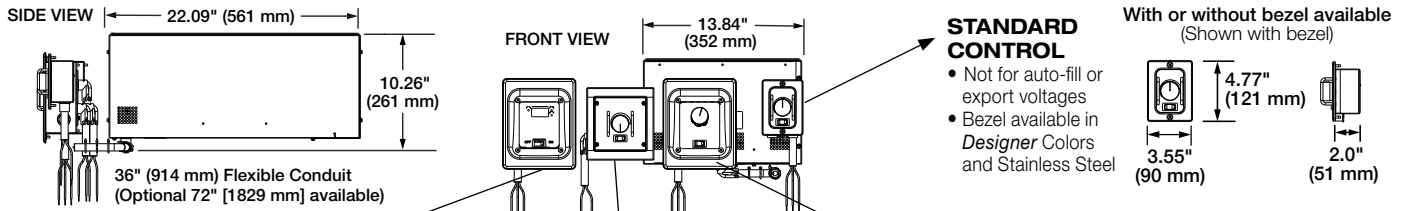
www.hatcocorp.com | support@hatcocorp.com | [Find a Hatco Rep](#) | [Image Library](#) | [Document Library](#) | [Patents](#) | [Chat](#)



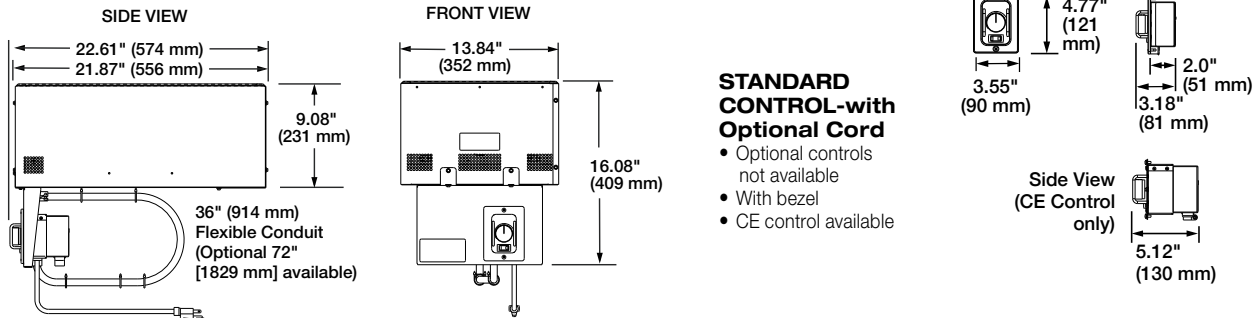
Built-In Full-Size Insulated Heated Wells

Models: HWBLI-FUL, -FULD, -FULDA, HWBLIB-FUL, -FULD, -FULDA, HWBI-FUL, -FULD, -FULDA, HWBIB-FUL, -FULD, -FULDA, HWBHI-FULD, -FULDA, HWBHIB-FULD, -FULDA

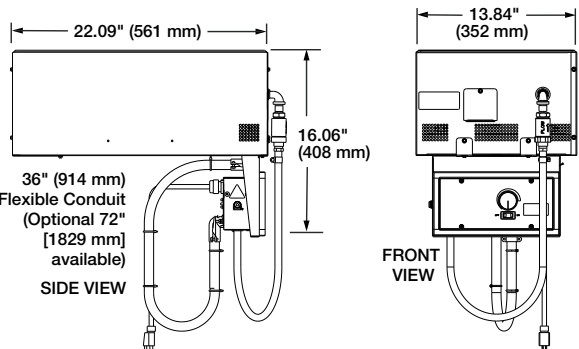
Insulated Bottom Mount Heated Wells — HWBIB-FUL, -FULD



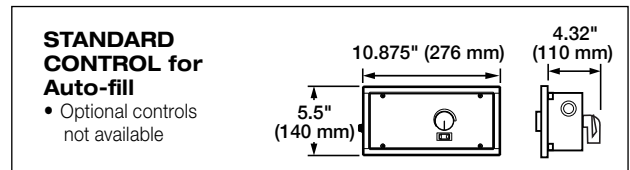
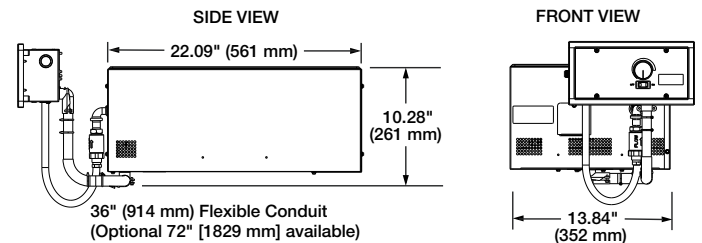
HWBIB-FUL, -FULD with Cord



HWBIB-FULDA with Cord (Auto-fill)



HWBIB-FULDA (Auto-fill)

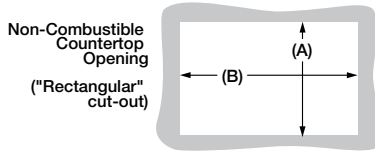




Built-In Full-Size Insulated Heated Wells

Models: HWBLI-FUL, -FULD, -FULDA, HWBLIB-FUL, -FULD, -FULDA, HWBI-FUL, -FULD, -FULDA, HWBIB-FUL, -FULD, -FULDA, HWBHI-FULD, -FULDA, HWBHIB-FULD, -FULDA

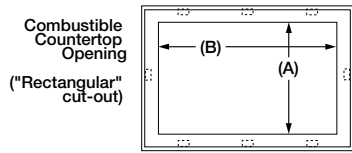
Cutout Dimensions for Non-Combustible Countertops



Model	Minimum Width (A)	Maximum Width (A)	Minimum Depth (B)	Maximum Depth (B)
HWBI-FUL, -FULD Series	12.75" (324 mm)	12.94" (328 mm)	20.75" (528 mm)	20.94" (531 mm)
HWBI-FULDA Series ▼	12.75" (324 mm)	12.94" (328 mm)	20.875" (530 mm)	20.94" (532 mm)
HWBIB-FUL, -FULD, -FULDA Series ▼	12.03" (306 mm)	12.03" (306 mm)	20.03" (509 mm)	20.03" (509 mm)

▼ Must be flanged.

Cutout Dimensions for Combustible Countertops▲

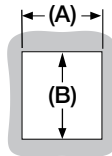


Model	Minimum Width (A)	Maximum Width (A)	Minimum Depth (B)	Maximum Depth (B)
HWBI-FUL, -FULD Series	14" (356 mm)	14.25" (362 mm)	22" (559 mm)	22.25" (565 mm)
HWBI-FULDA Series	14" (356 mm)	14.25" (362 mm)	22" (559 mm)	22.25" (565 mm)

▲ Accessory Mounting Kit required for Top Mounts

Cutout Dimensions for Control Boxes

Control Box Opening
(Larger Recessed Thermostatic shown)



Control Box	Width (A)	Height (B)	International Model
Standard Thermostatic without bezel	2.16" (55 mm)	3.375" (86 mm)	Not available
Standard Thermostatic with bezel	3.25" (83 mm)	3.75" (95 mm)	Not available
Optional Larger Recessed Thermostatic	5.875" (149 mm)	6.375" (162 mm)	Standard
Optional ITC Electronic (not available for 4-QT [4-Liter] or Low Watt)	5.875" (149 mm)	6.375" (162 mm)	Optional
Optional WM Assembly Replacement	4.78" (121 mm)	5.00" (127 mm)	Not available
Standard Auto-fill	10.125 (257 mm)	4.75 (121 mm)	Standard

Insulated Full Size Rectangular Models

The shaded areas contain electrical information for International models only

	Model	Dimensions (Width x Depth x Height)	Volts (Single Phase)	Watts	Amps	Optional Plug Hardwired Standard	Control Configuration♦		Ship Weight*
							Standard	Optional	
Low Watt	HWBLI-FUL, -FULD (Top or Bottom Mount)	13.68" x 21.76" x 10.26" (347 x 553 x 261 mm)	120	750	6.3	NEMA 5-15P	Thermostatic (with bezel)	WM Assembly or Larger Recessed Thermostatic	30 lbs. (14 kg) 26 lbs. (12 kg)
		Optional Cord:♦ (Top Mount Only) 13.68" x 21.76" x 16.08 (347 x 553 x 409 mm)							
		HWBLI-FULDA (Top Mount)	13.68" x 21.76" x 10.34" (347 x 553 x 263 mm)	765	6.4	Not Available	Auto-fill	Not Available	30 lbs. (14 kg)
		HWBLIB-FUL, -FULD (Bottom Mount Only)	13.84" x 22.09" x 10.26" (352 x 561 x 261 mm)	120	750	6.3	NEMA 5-15P	Thermostatic (with bezel)	WM Assembly or Larger Recessed Thermostatic
		Optional Cord:♦ 13.84" x 22.61" x 16.06" (352 x 574 x 408 mm)							
	HWBLIB-FULDA (Bottom Mount)	13.84" x 22.09" x 10.28" (352 x 561 x 261 mm)	120	765	6.4	NEMA 5-15P	Auto-fill	Not Available	35 lbs. (16 kg)
		Optional Cord:♦ 13.84" x 22.09" x 16.06" (352 x 561 x 408 mm)							

♦Only control for optional HWBI-CORD is the Compact Thermostatic Control (CE available as export option)
 - HWBLI-FUL, -FULD (top mount only)
 - HWBLIB-FUL, -FULD (bottom mount)

HATCO CORPORATION | P.O. Box 340500 Milwaukee, WI 53234-0500 U.S.A. | (800) 558-0607 | (414) 671-6350



www.hatcocorp.com | support@hatcocorp.com | [Find a Hatco Rep](#) | [Image Library](#) | [Document Library](#) | [Patents](#) | [Chat](#)



Built-In Full-Size Insulated Heated Wells

Models: HWBLI-FUL, -FULD, -FULDA, HWBLIB-FUL, -FULD, -FULDA, HWBI-FUL, -FULD, -FULDA, HWBIB-FUL, -FULD, -FULDA, HWBHI-FULD, -FULDA, HWBHIB-FULD, -FULDA

Insulated Full Size Rectangular Models

The shaded areas contain electrical information for International models only

Model	Dimensions (Width x Depth x Height)	Volts (Single Phase)	Watts	Amps	Optional Plug Hardwired Standard	Control Configuration [♦]		Ship Weight*	
						Standard	Optional		
HWBI-FUL HWBI-FULD Top or Bottom Mount	13.68" x 21.76" x 10.26" (347 x 553 x 261 mm) Optional Cord:♦ (Top Mount Only) 13.68" x 21.76" x 16.08" (347 x 553 x 408 mm)	120	1200	10.0	NEMA 5-15P	Compact Thermostatic (with bezel)	WM Assembly, Larger Recessed Thermostatic or ITC Electronic Control (ITC control for HWBI-, HWBIQ- FULD models only)	26 lbs. (12 kg) 25 lbs. (11 kg)	
		208		5.8	NEMA 6-15P				
		240		5.0	NEMA 6-15P				
		220	1200	5.5	CEE 7/7 SCHUKO		Larger Recessed Thermostatic	ITC Control (For HWBI-, HWBIQ-FULD and non-CE models only)	
		220-230 (CE)			CEE 7/7 SCHUKO, CCC				
		240			BS 1363 or AS 3112				
		230-240 (CE)			BS 1363				
HWBI-FULDA (Top Mount)	13.68" x 21.76" x 10.34" (347 x 553 x 263 mm)	120	1215	10.1	Not Available	Auto-fill	Not Available	30 lbs. (14 kg)	
		208		5.8					
		240		5.1					
		220	1215	5.5	Not Available	Auto-fill	Not Available		
		220-230 (CE)	1215/1328	5.6/5.8					
		240	1215	5.1					
		230-240 (CE)	1116/1215	4.9/5.1					
HWBIB-FUL HWBIB-FULD (Bottom Mount)	13.84" x 22.09" x 10.26" (352 x 561 x 261 mm) Optional Cord:♦ (352 x 574 x 408 mm)	120	1200	10.0	NEMA 5-15P	Compact Thermostatic (with bezel)	WM Assembly, Larger Recessed Thermostatic or ITC Electronic Control (ITC control for HWBI-, HWBIQ- FULD models only)	28 lbs. (13 kg)	
		208		5.8	NEMA 6-15P				
		240		5.0	NEMA 6-15P				
		220	1200	5.5	CEE 7/7 SCHUKO		Larger Recessed Thermostatic		ITC Control (For HWBI-, HWBIQ-FULD and non-CE models only)
		220-230 (CE)			CEE 7/7 SCHUKO, CCC				
		240			BS 1363 or AS 3112				
		230-240 (CE)			BS 1363				
HWBIB-FULDA (Bottom Mount)	13.84" x 22.09" x 10.28" (352 x 561 x 261 mm) Optional Cord:♦ (352 x 561 x 408 mm)	120	1215	10.1	NEMA 5-15P	Auto-fill	Not Available	35 lbs. (16 kg)	
		208		5.9	NEMA 6-15P				
		240		5.1	NEMA 6-15P				
		220	1215	5.6	CEE 7/7 SCHUKO		Auto-fill		Not Available
		220-230 (CE)	1215/1328	5.5/5.8	CEE 7/7 SCHUKO, CCC				
		240	1215	5.1	BS 1363 or AS 3112				
		230-240 (CE)	1116/1215	4.9/5.1	BS 1363				

♦Only control for optional HWBI-CORD is the Compact Thermostatic Control (CE available as export option)
 - HWBI-FUL, -FULD (top mount only)
 - HWBIB-FUL, -FULD (bottom mount)



Built-In Full-Size Insulated Heated Wells

Models: HWBLI-FUL, -FULD, -FULDA, HWBLIB-FUL, -FULD, -FULDA, HWBI-FUL, -FULD, -FULDA, HWBIB-FUL, -FULD, -FULDA, HWBHI-FULD, -FULDA, HWBHIB-FULD, -FULDA

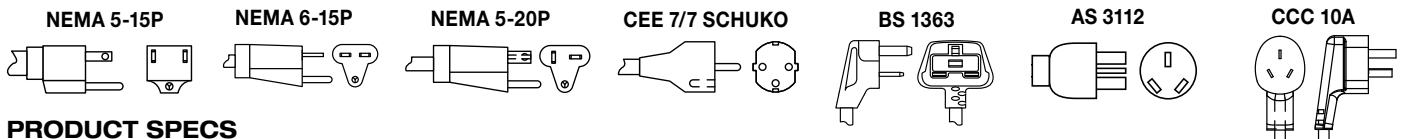
Insulated Full Size Rectangular Models

The shaded areas contain electrical information for International models only

	Model	Dimensions (Width x Depth x Height)	Volts (Single Phase)	Watts	Amps	Optional Plug Hardwired Standard	Control Configuration*		Ship Weight*			
							Standard	Optional				
High Watt	HWBHI-FUL HWBHI-FULD (Top or Bottom Mount)	13.68" x 21.76" x 10.26" (347 x 553 x 261 mm) Optional HWBI-Cord (Top Mount only): 13.68" x 21.76" x 16.08 (347 x 553 x 408 mm)	120	1650	13.8	NEMA 5-20P	Compact Thermostatic (with bezel)	WM Assembly, Larger Recessed Thermostatic or ITC Electronic Control (ITC Control for HWBI-, HWBIQ-FULD models only)	26 lbs. (12 kg) 31 lbs. (14 kg)			
			208							7.9	NEMA 6-15P	
			240							6.9	NEMA 6-15P	
			HWBHI-FULDA (Top Mount)	13.68" x 21.76" x 10.34" (347 x 553 x 263 mm)	120	1665	13.9	Not Available	Auto-fill	None	30 lbs. (14 kg)	
					208							8.0
					240							6.9
					220	1665	7.6	Not Available	Auto-fill	None		
					220-230 (CE)	1665/1820	7.6/7.9					
	240	1665			6.9							
	230-240 (CE)	1530/1665	6.7/7.0									
	HWBHIB-FUL HWBHIB-FULD (Bottom Mount)	13.84" x 22.09" x 10.26" (352 x 561 x 261 mm) Optional Cord: (HWBHIB-FUL, -FULD only): 13.84" x 22.61" x 16.06" (352 x 574 x 408 mm)	120	1650	13.8	NEMA 5-20P	Compact Thermostatic (with bezel)	WM Assembly, Larger Recessed Thermostatic or ITC Electronic Control (ITC Control for HWBI-, HWBIQ-FULD models only)	30 lbs. (14 kg)			
			208							7.9	NEMA 6-15P	
			240							6.9	NEMA 6-15P	
			220	1650	7.5	CEE 7/7 SCHUKO	Larger Recessed Thermostatic	ITC Electronic Control (For HWBI-, HWBIQ- FULD and non-CE models only)				
			220-230 (CE)						CEE 7/7 SCHUKO, CCC			
			240						BS 1363 or AS 3112			
			230-240 (CE)	6.9	BS 1363							
			HWBHIB-FULDA (Bottom Mount)	13.84" x 22.09" x 10.28" (352 x 561 x 261 mm) Optional HWBI-Cord: 13.84" x 22.09" x 16.06" (352 x 561 x 408 mm)	120	1665	13.9	NEMA 5-20P	Auto-fill	None	35 lbs. (16 kg)	
	208	8.0			NEMA 6-15P							
	240	7.0			NEMA 6-15P							
	220	1665			7.6	CEE 7/7 SCHUKO	Auto-fill	None				
	220-230 (CE)	1665/1820			7.6/7.9	CEE 7/7 SCHUKO, CCC						
	240	1665			7.0	BS 1363 or AS 3112						
	230-240 (CE)	1530/1650			6.7/7.0	BS 1363						

♦Only control for optional HWBI-CORD is the Compact Thermostatic Control (CE available as export option)
 - HWBHI-FUL, -FULD (top mount only)
 - HWBHIB-FUL, -FULD (bottom mount)

PLUG CONFIGURATIONS (Optional)



PRODUCT SPECS Built-In Insulated Heated Wells

The Built-in Rectangular Insulated Heated Well with or without cord and plug, with rounded or square corners shall be a Model...as manufactured by the Hatco Corporation, Milwaukee, WI 53234 U.S.A.

Built-in Heated Well shall be rated at ...watts, ...volts, and be...inches (millimeters) in overall width and be ...inches (millimeters) in overall depth. It shall consist of stainless and aluminized steel housing with a metal sheathed heating element, EZ locking hardware for installation, and a remote thermostat with lighted power switch.

Options may include additional supply lead wires, conduits, cord in lieu of conduit and lead wire, control boxes, bezel in Designer colors, left or right water fill hole, insulated bottom mount bracket and square pan corners in lieu of round pan corners.

Accessories may include stainless steel mounting kit, adapter bars, adapter top, support bars, food pans, remote handle and valves.

Warranty consists of 24/7 parts and service assistance (US and Canada only).

HATCO CORPORATION | P.O. Box 340500 Milwaukee, WI 53234-0500 U.S.A. | (800) 558-0607 | (414) 671-6350



www.hatcocorp.com | support@hatcocorp.com | [Find a Hatco Rep](#) | [Image Library](#) | [Document Library](#) | [Patents](#) | [Chat](#)