



Project _____

Item # _____

Quantity _____

R-290 Refrigerated Drop-In Wells

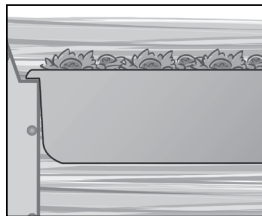
Models: CWBP-1, -2, -3, -4, -5, -6

Hatco's R-290 Refrigerated Drop-In Well keeps pre-chilled food products at safe serving temperatures, with environmentally friendly refrigerant. Unique top-angled inside wall design allows cold air to effectively blanket your food product to keep the food optimally cold and fresh.

This top mount unit holds full-size pans, available in one- through six-pan configurations. The electronic control assembly can be conveniently mounted to either side of the condensing unit or remotely mounted up to 4 feet (1219 mm) from the unit (cannot be mounted over condensing coil).

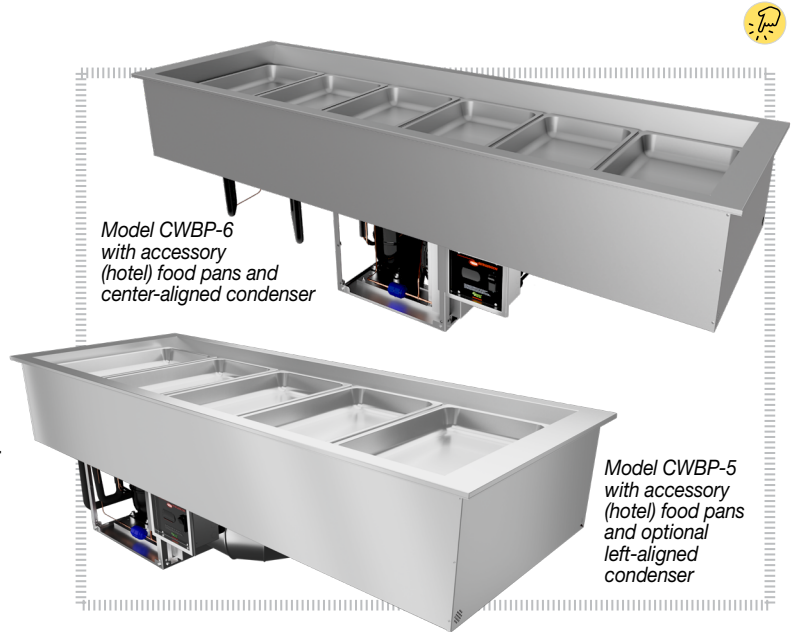
Standard features

- Top mount unit holds full-size pans in 1- to-6 pan configurations
- NSF 7 Component approved cold wall construction utilizes a refrigerant that keeps food product cold without drying it out



The unique angled inside wall design provides easy access and clear views. The greater surface area of the angled wall and the placement of the coils allow cold air to more effectively blanket your food product.

- Condenser utilizes environmentally friendly R-290 refrigerant
- Auto-defrost is activated through an advanced electronic controller programmed at customer location
- Optimal insulation on sides and bottom ensure better cold retention
- Environmentally friendly insulation used throughout
- Matches the Hatco line of Heated Wells for a fully integrated look
- 1" brass drain simplifies cleaning



Options (available at time of purchase only)

- Additional Four-Year Parts Only Warranty on the Compressor at Time of Unit Purchase (Not available for export voltages)
- Slant Kit to give Cold Wells a 5° tilt
- Gasket (Factory installed and eliminates the need for silicone or other sealants)
- Condenser Location Beneath Unit (CWBP-1, -2 & -3 Units are Center Aligned Only)
 - Left-Aligned Condenser
 - Center-Aligned Condenser

Accessories

- Pan Support Bars
 - 12" (305 mm), hangs from 20" (508 mm) Pan Support Bar
 - 20" (508 mm), hangs from pan shelf
- Stainless Steel Food Pans:
 - Third-Size (2.5" [64 mm] H)
 - Full-Size (2.5" [64 mm] H)
 - Full-Size (6" [152 mm] H)
 - Half-Size (2.5" [64 mm] H)
 - Full-Size (4" [101 mm] H)
- False Bottom (perforated false bottom)
- Condensate Evaporator Pan (1.75 QT)
- Trivets:
 - Half-Size (10.19" [259 mm] W x 7.625" [194 mm] D)
 - Full-Size (10.125" [259 mm] W x 18" [457 mm] D)



For operation, location and safety information, please refer to the Installation and Operating Manual.



HATCO CORPORATION | P.O. Box 340500 Milwaukee, WI 53234-0500 U.S.A. | (414) 671-6350



www.hatcocorp.com | support@hatcocorp.com | [Find a Hatco Rep](#) | [Image Library](#) | [Document Library](#) | [Patents](#) | [Chat](#)



R-290 Refrigerated Drop-In Wells

Models: CWBP-1, -2, -3, -4, -5, -6

Ordering Instructions:

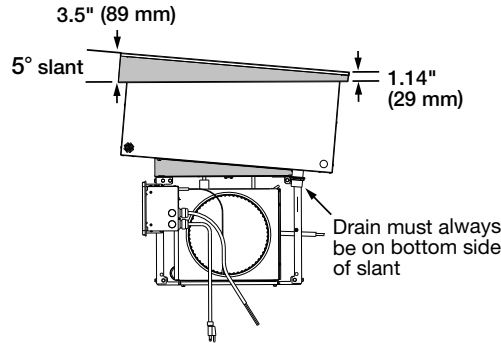
Please specify the following with each order:

- Desired Voltage and Hz:**
120 (60 Hz),
220, 230 or 240V (50 or 60 Hz)
- Number of Drop-In Wells Required:**
1-, 2-, 3-, 4-, 5-, or 6-pan as rectangular, full-size, 12" x 20" (305 mm x 508 mm)
- Electronic Control Assembly** can be mounted on either side of the Condensing Unit or remotely mounted up to 4 feet (1219 mm) from the unit (cannot be mounted over the condensing unit)

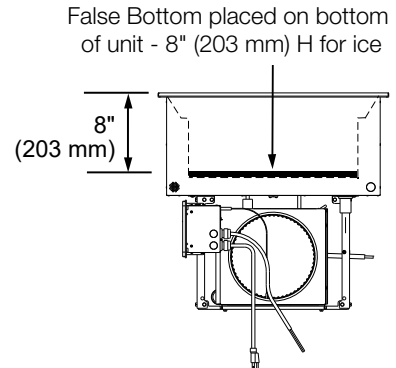
Option

- Slant Option** for CWBP-1, -2, -3, -4, -5 or -6
- Gasket** to eliminate need for silicone or other sealants

ALL MODELS Slant Option (gray highlight)

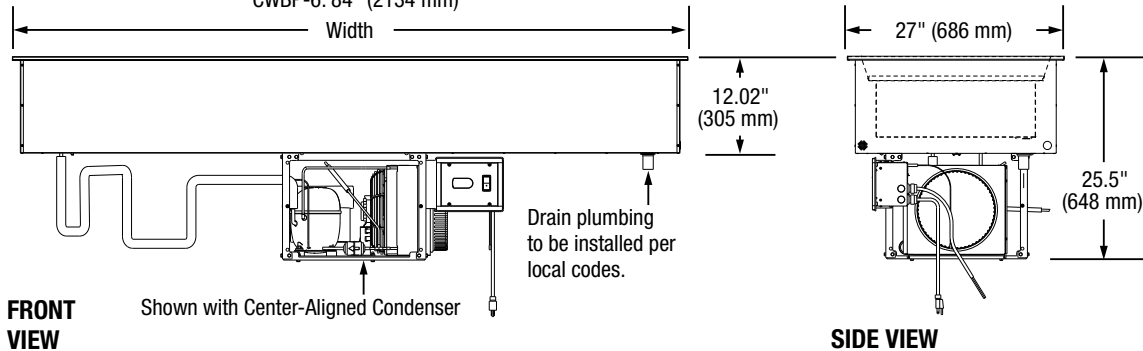


ALL MODELS False Bottom Accessory 1-part, 2- or 3-part, depending on pan size

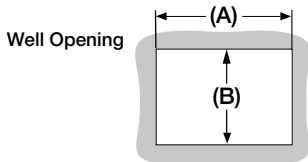


Model CWBP-1, -2, -3, -4, -5, -6 Series

- CWBP-1: 19" (483 mm)
- CWBP-2: 32" (813 mm)
- CWBP-3: 45" (1143 mm)
- CWBP-4: 58" (1473 mm)
- CWBP-5: 71" (1803 mm)
- CWBP-6: 84" (2134 mm)



Cutout Dimensions for R-290 Refrigerated Drop-In Wells



Model	Minimum Width (A)	Maximum Width (A)	Minimum Depth (B)	Maximum Depth (B)
CWBP-1	17.125" (435 mm)	18" (457 mm)	25.19" (640 mm)	26" (660 mm)
CWBP-2	30.125" (765 mm)	31" (787 mm)		
CWBP-3	43.125" (1095 mm)	44" (1118 mm)		
CWBP-4	56.125" (1426 mm)	57" (1448 mm)		
CWBP-5	69.125" (1756 mm)	70" (1778 mm)		
CWBP-6	82.125" (2086 mm)	83" (2108 mm)		





R-290 Refrigerated Drop-In Wells

Models: CWBP-1, -2, -3, -4, -5, -6

SPECIFICATIONS R-290 Refrigerated Drop-In Wells

The shaded areas contain electrical information for International models

Model	Dimensions (Width x Depth x Height, (12" [305 mm] Well Height)	Voltage	HP Compressor Size	Hz	Watts	Amps	Plug	Total Heat of Rejection (BTU/Hr)	Approx. Ship Weight
CWBP-1	19" x 27" x 25.5" (483 x 686 x 648 mm)	120	1/5	60	345	5.2	NEMA 5-15P	1441	127 lbs. (58 kg)
		220/230/240	1/3	50	333/364/396	3.0/3.2/3.3	BS-1363, CEE 7/7 Schuko, AS 3112	1615	
				60	333/364/396	3.0/3.2/3.3	BS-1363, CEE 7/7 Schuko	1615	
CWBP-2	32" x 27" x 25.5" (813 x 686 x 648 mm)	120	1/5	60	345	5.2	NEMA 5-15P	1681	150 lbs. (68 kg)
		220/230/240	1/3	50	333/364/396	3.0/3.2/3.3	BS-1363, CEE 7/7 Schuko, AS 3112	1855	
				60	333/364/396	3.0/3.2/3.3	BS-1363, CEE 7/7 Schuko	1855	
CWBP-3	45" x 27" x 25.5" (1143 x 686 x 648 mm)	120	1/5	60	345	5.2	NEMA 5-15P	1921	173 lbs. (78 kg)
		220/230/240	1/3	50	333/364/396	3.0/3.2/3.3	BS-1363, CEE 7/7 Schuko, AS 3112	2095	
				60	333/364/396	3.0/3.2/3.3	BS-1363, CEE 7/7 Schuko	2095	
CWBP-4	58" x 27" x 25.5" (1473 x 686 x 648 mm)	120	1/3	60	440	6.5	NEMA 5-15P	2485	211 lbs. (96 kg)
		220/230/240	3/8	50	333/364/396	3.0/3.2/3.3	BS-1363, CEE 7/7 Schuko, AS 3112	2335	
			1/3	60	333/364/396	3.0/3.2/3.3	BS-1363, CEE 7/7 Schuko	2335	
CWBP-5	71" x 27" x 25.5" (1803 x 686 x 648 mm)	120	1/2	60	560	9.3	NEMA 5-15P	3135	245 lbs. (111 kg)
		220/230/240	1/2	50	454/496/540	4.1/4.3/4.5	BS-1363, CEE 7/7 Schuko, AS 3112	3067	
			5/8	60	484/529/576	4.4/4.6/4.8	BS-1363, CEE 7/7 Schuko	3189	
CWBP-6	84" x 27" x 25.5" (2134 x 686 x 648 mm)	120	1/2	60	560	9.3	NEMA 5-15P	3375	292 lbs. (132 kg)
		220/230/240	1/2	50	454/496/540	4.1/4.3/4.5	BS-1363, CEE 7/7 Schuko, AS 3112	3307	
			5/8	60	484/529/576	4.4/4.6/4.8	BS-1363, CEE 7/7 Schuko	3429	

◀ Single phase only

R-290 REFRIGERANT OPERATING SPECIFICATIONS in 75°F (24°C) AMBIENT



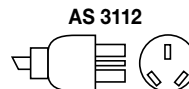
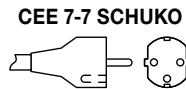
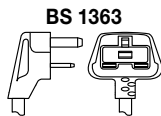
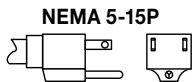
Refer to the Installation section in the Installation and Operating Manual on the Hatco website

- Suction Pressure: 13-23 PSIG (0.9-1.6 Bar)
- Discharge Pressure : 140-180 PSIG (9.7-12.4 Bar)
- Superheat: 4-10° F (2.2° to 5.6 °C)
- Subcooling: 5-10° F (2.8° to 5.6 °C)

FACTORY FILL RATES for R-290 REFRIGERANT

Model	Fill Weight
CWBP-1	4.2 oz. (119.068 g)
CWBP-2	4.5 oz. (127.573 g)
CWBP-3	4.8 oz. (136.078 g)
CWBP-4	4.6 oz. (130.408 g)
CWBP-5	5.1 oz. (144.583 g)
CWBP-6	5.2 oz. (147.418 g)

PLUG CONFIGURATIONS



PRODUCT SPECS R-290 Refrigerated Drop-In Wells

The NSF 7 approved R-290 Refrigerated Drop-In Well shall be a Model ... as manufactured by the Hatco Corporation, Milwaukee, WI 53234 U.S.A.

The R-290 Refrigerated Drop-In Well shall be rated at ... watts, ... volts, ... hp, and be inches (millimeters) in overall width and be ... inches (millimeters) in overall depth. It shall utilize R-290 refrigerant and consist of aluminized steel housing with a stainless bezel, an electronic temperature control, pan support bars for full-size pans,

condensing unit, compressor, refrigerant lines, and filter-dryer.

Accessories may include pan support bars, false bottom, and stainless steel food pans.

Warranty consists of 24/7 parts and service assistance (U.S. and Canada only).

HATCO CORPORATION | P.O. Box 340500 Milwaukee, WI 53234-0500 U.S.A. | (414) 671-6350



www.hatcocorp.com | support@hatcocorp.com | [Find a Hatco Rep](#) | [Image Library](#) | [Document Library](#) | [Patents](#) | [Chat](#)