

Champion®

The Dishwashing Machine Specialists

PROJECT: _____

ITEM # _____ QTY: _____

MODEL # _____

AIA # _____ SIS # _____

CG

GLASSWASHERS ROTARY SERIES



Rendered image is for general visual representation only. Please refer to specifications for the latest detailed product information.

OPTIONS & ACCESSORIES

- Casters, set of 4, 2 locking, 2 regular
- Wash down hose
- Drain tray waste collector

STANDARD FEATURES

- **12" Glass Clearance Accepts Taller Stemware**
- **Internal upper drain screen**
for improved filtration and ease of cleaning
- **Self Flushing Wash Chamber Reduces Maintenance**
- **Reduced Water Usage**
- **Improved Shut Off Mechanism**
- **Three Pump Injection System**
for precise chemical dispensing
- **Upper And Lower Wash And Rinse Arms**
produce sparkling clean glasses every time
- **Double Walled Construction**
for quieter operation
- **Cool Final Rinse Water**
provides a cool glass ready for immediate use
- **An Off-The-Floor Shelf**
provides storage for three, 1-gallon containers
- **Polypropylene Conveyor**
virtually eliminates chipping of fine stemware



SPECIFIER STATEMENT

Specified unit will be Champion model CG Rotary Type, fully automatic glasswasher. Unit will have detergent pump, sanitizer pump and rinse aid pump, standard upper and lower wash/rinse arms, wash tank heater, cold water final rinse, polypropylene conveyor, splash curtains, double-walled construction, storage space for three 1-gallon containers.

1 year parts and labor warranty.

In the USA:

3765 Champion Blvd, Winston-Salem, NC 27105
Tel: (336) 661-1556 Fax: (336) 661-1979
www.championindustries.com

SPECIFICATIONS

Capacities (hr)		
2-1/2" glasses/hr.		1200
Conveyor Movement		
CG		Clockwise
Water Consumption		
Cold Water (approx.)		2.6 gpm
Hot Water (initial fill)		3 Gal
(Max. use – approx. 10 gph)		
Temperature °F		
Inlet water (hot) min/max		145-160
Inlet water (cold)		75
Heating		
Tank heat, electric, (kW)		3
Clearance		
Through machine (inches)		12

	Uncrated	Crated
Height*	39"	46-1/2"
Width	25-1/4"	27"
Depth	26"	27-1/2"
Ship Wt. LBS.	156	176
*Adjustable foot height 1-1/4"		

Warning: Plumbing, electrical connections should be made by qualified personnel who will observe all the applicable plumbing, sanitary and safety codes and the National Electrical Code.

Note: CG models supplied with 6 ft. plug-in cord (NEMA 6-15P).

Plumbing Notes: Because of the variation in house-supplied steam and water pressures, steam and water pressure regulating valves (PRVs) may be needed. (Water PRV is standard on machines with booster.) The PRVs can either be purchased from Champion or obtained locally.

Champion does not endorse using on-demand (tankless) water heating systems, as well as PEX and other plumbing materials that may limit water flow, as these could impair machine performance. For optimal results, we recommend using appropriately sized conventional hot water tanks and standard copper water supply lines that adhere to our specifications. Not following these recommendations may void the manufacturer's warranty.

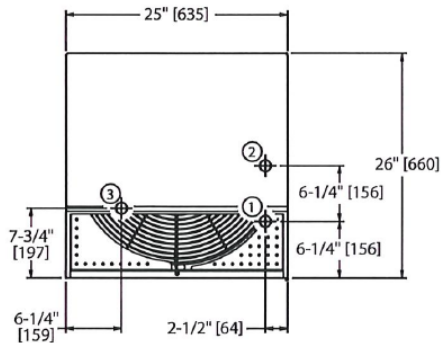
Water hardness of 3 grains/US Gal (0.83 Imp Gal) - 5.3 Mg/L or less

Utilities

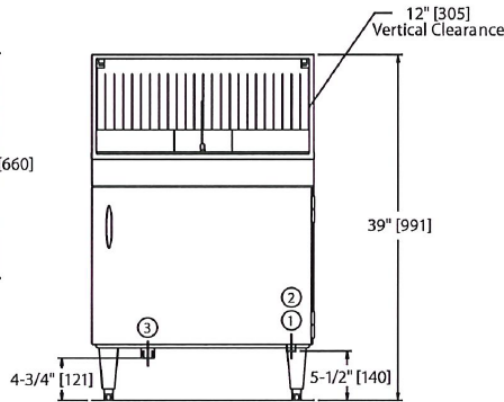
Electrical

208-230/60/1, 15 AMP

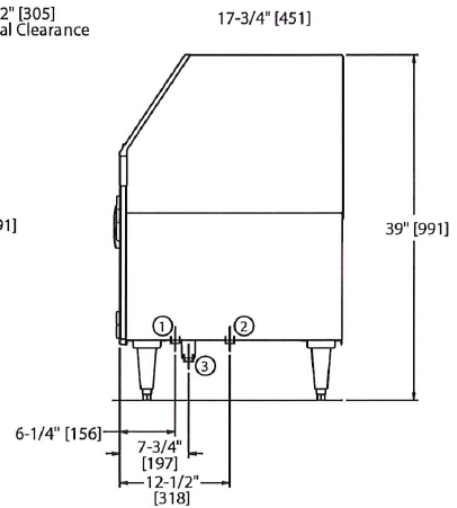
- 1 Hot Water**
1/2" IPS. Flow pressure 25-95 psi
- 2 Cold Water**
1/2" IPS. Flow pressure 25-95 psi
- 3 Drain**
1-1/2" tailpiece. Connect to drain size according to local plumbing code.



Plan View



Front View



Side View