



Item No.: _____
 Order No.: _____
 Qty: _____ Date: _____

DROP-IN HAND SINK

Features

- Drop-in design
- Mounting brackets included
- Deck mounted 4" faucet holes
- Faucet included (**AA-420G** or **AA-422G**)
- Strainer included (**AA-141** for all models)

Included Items:

AA-420G or AA-422G



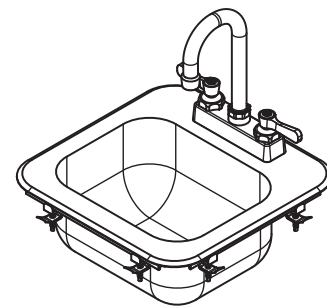
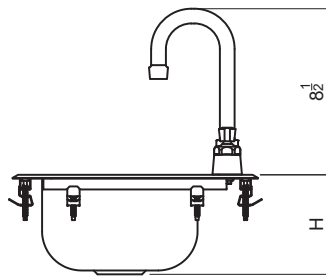
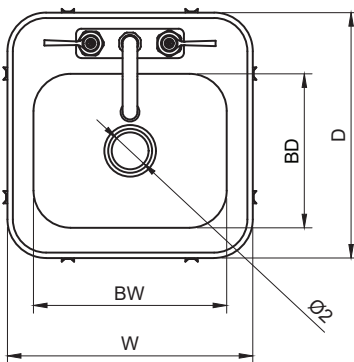
AA-141



Description **Drop-In Hand Sink**

This drop in hand sink is the perfect choice for ensuring that employees have a convenient place to wash their hands. With its drop in design this sink can be installed directly in your existing counter. The faucet has 4" centers and 1/2" NPT inlets for hot and cold water connections. This sink also comes with the required top mounting brackets and has a 1 1/2" IPS threaded drain with a nut and washer.

Plan View **HS-0810I**



Order No.	D x W x H (in)	BD (in)	BW (in)	Cut Out Size (in)	G. W. (lb)
HS-0810I	13 x 13 x 5	8	10	12-1/2 x 12-1/2	6
HS-1317I	17-1/2 x 13 x 6-3/8	13-1/2	11	16-1/2 x 12-1/2	7
HS-1615I	15-1/4 x 15-3/4 x 6-1/2	11-1/4	13-1/2	13-1/2 x 14-1/8	7
HS-2017I	17 x 20-1/4 x 7-1/2	12-3/4	17-7/8	14 x 18-1/2	10