

# "UBIB-21-CP10" UNDERBAR ICE BIN

*21" Width, w/10 Circuit Cold Plate*

**FEATURES:**

- 18GA Stainless Steel Construction
- Type 300 Stainless Steel With #4 Polish, Satin Finish
- 21" Deep Front To Back
- Foam Insulated Ice Bin
- 10 Circuit Cold Plate
- Standard Threaded Inserts On Sides For Attaching Adjacent Units Together
- Standard Front Inserts For Speed Rail Attachment
- Access Plates On Top Of Backsplash For Soda Gun Lines
- Stainless Steel Front To Back Bracing

**SPECIFICATIONS:**

- Top: 18GA Type 300 Stainless Steel
- Front Apron: 18GA Type 300 Stainless Steel
- Backsplash: 18GA Type 300 Stainless Steel
- Sides: 18GA Type 300 Stainless Steel
- Bolt On 1-5/8" Stainless Steel Legs For Fast Installation
- 1-1/4" Front To Back Bracing
- 1" Adjustable Stainless Steel Bullet Feet
- Z-Clip To Mount To Wall
- Bolt To Adjacent Underbar Piece
- Legs Not To Be Removed On Ice Bins
- 1-7/8" Drain Plug
- 1" MPT 3-1/4" Long Drain Connection



UBIB-21-CP10

**CERTIFICATIONS:**



**ACCESSORIES**

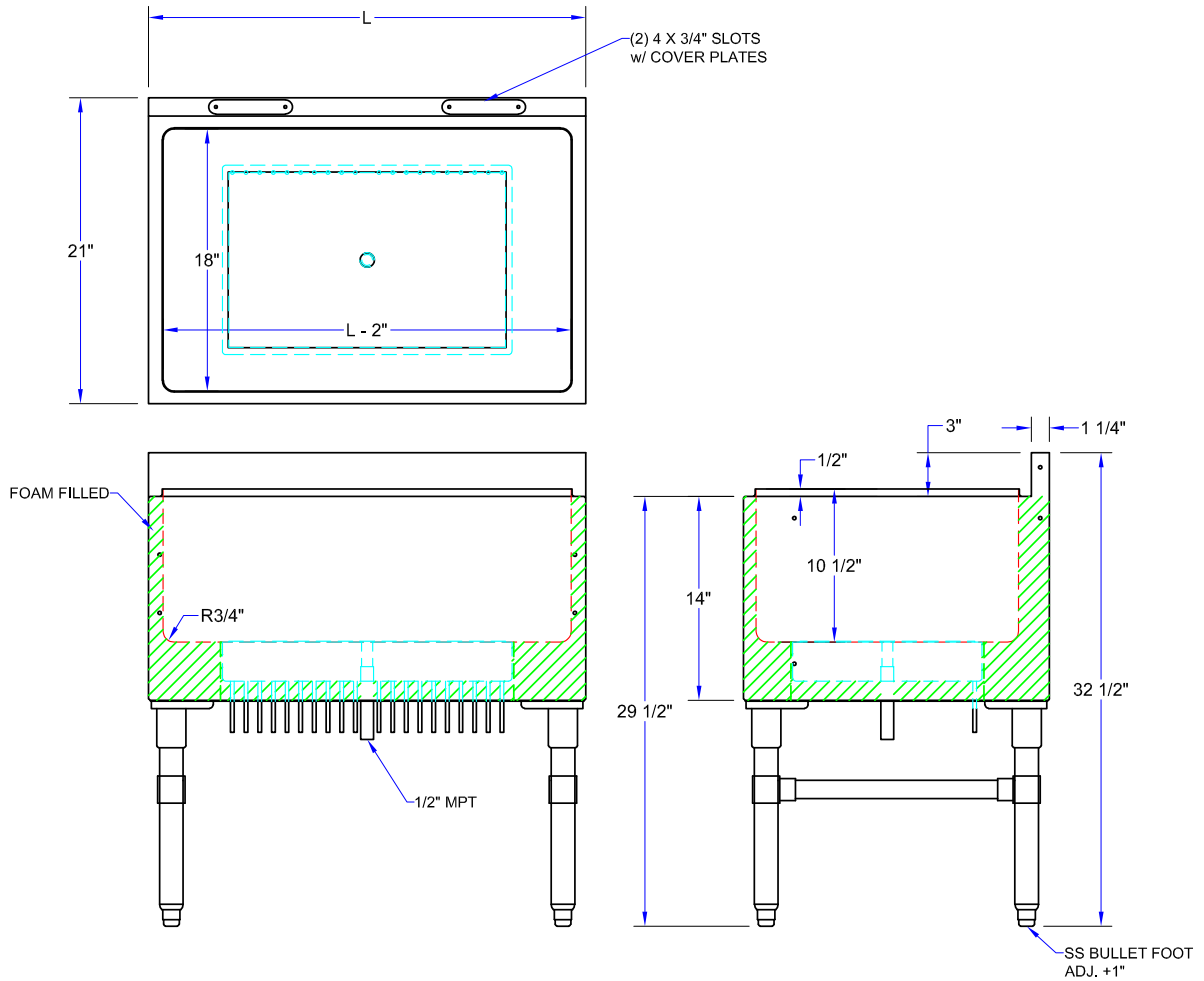
| MODEL          | DESCRIPTION                                     |
|----------------|---|
| UBSS-21-L      | Left Hand Side Splash                           |
| UBSS-21-R      | Right Hand Side Splash                          |
| UBSR1-30       | 30" Single Speed Rail                           |
| UBSR2-36       | 36" Single Speed Rail                           |
| UBSR2-30       | 30" Double Speed Rail                           |
| UBSR2-36       | 36" Double Speed Rail                           |
| UBIBL-2130-BWH | Bottle Well Holder With Lid For 30"x21" Ice Bin |
| UBIBL-2136-BWH | Bottle Well Holder With Lid For 36"x21" Ice Bin |

**"UBIB-21-CP10" UNDERBAR ICE BIN**

| MODEL          | SIZE (LXWXH)    | LENGTH (L) | WEIGHT (LBS) |
|----------------|-----------------|------------|--------------|
| UBIB-2130-CP10 | 30"x21"x32-1/2" | 30"        | 205          |
| UBIB-2136-CP10 | 36"x21"x32-1/2" | 36"        | 215          |

ALL DIMENSIONS ARE TYPICAL. TOLERANCE +/- .500". JOHN BOOS & CO. RESERVES THE RIGHT TO CHANGE SPECIFICATIONS WITHOUT NOTICE.

# DETAILED SPECIFICATIONS



## "UBIB-21-CP10" UNDERBAR ICE BIN

| MODEL          | SIZE (LXWXH)    | LENGTH (L) | WEIGHT (LBS) |
|----------------|-----------------|------------|--------------|
| UBIB-2130-CP10 | 30"x21"x32-1/2" | 30"        | 205          |
| UBIB-2136-CP10 | 36"x21"x32-1/2" | 36"        | 215          |

ALL DIMENSIONS ARE TYPICAL. TOLERANCE +/- .500". JOHN BOOS & CO. RESERVES THE RIGHT TO CHANGE SPECIFICATIONS WITHOUT NOTICE.