



Glo-Ray® Portable Round Heated Simulated Stone Shelves

Models: GRSSR-16, -18, -20
GRSSR16-, GRSSR18-, GRSSR20-DL77516
(with Decorative Lamp)

Hatco's Glo-Ray® Simulated Stone® Round Portable Heated Shelves are made of foodsafe materials and come in three Decorative stone colors. The GRSSR16-, GRSSR18-, GRSSR20-DL77516 lamp shade and shepard's hook are available in seven Designer colors. These unique warmers will safely hold food hot while blending in with your décor and are ideal for buffet lines or as hors d'oeuvre displays.

Standard features

- Approved food-safe materials
- Adjustable thermostatically-controlled heated base with lighted rocker switch
- Blanket-type element creates uniform heat across the entire simulated stone surface
- Temperature range of 100-200°F (38°-93°C)
- GRSSR16-, GRSSR18-, GRSSR20-DL77516 include one 250 watt, clear, uncoated bulb
- 6' (1829 mm) cord with plug attached
- Cord location is back side on base
- Models with simulated stone finishes are Swanstone®

Project _____

Item # _____

Quantity _____



GRSSR-16 with standard Ash Gray simulated stone heated base and optional 3" (76 mm) Riser in Designer Gray Granite

GRSSR-18 with standard Ash Gray simulated stone heated base and optional 5" (127 mm) Riser in Designer Warm Red

GRSSR-20 with standard Ash Gray simulated stone heated base

GRSSR20-DL77516 with optional Ice simulated stone heated base and standard Black Decorative Lamp

Options (available at time of purchase only)

Simulated Stone Finishes – Swanstone – Ash Gray standard Birch Ice

Designer Color for Base (Base and Post for GRSSR16-, GRSSR18-, GRSSR20-DL77516) – Black Standard Warm Red Gray Granite White Granite Navy Blue Hunter Green Antique Copper

Designer Color for GRSSR16-, GRSSR18-, GRSSR20-DL77516 Decorative Lamp – Black Standard Warm Red Gray Granite White Granite Navy Blue Hunter Green Antique Copper

Risers
3" high (76 mm)
 16" Dia (406 mm) 18" Dia (457 mm) 20" Dia (508 mm)

5" high (127 mm)
 16" Dia (406 mm) 18" Dia (457 mm) 20" Dia (508 mm)
Risers in Designer Colors – (GRSSR models only)
 Warm Red Gray Granite White Granite Navy Blue
 Hunter Green Antique Copper Stainless Steel Black

Accessories (available after purchase) GRSSRxx-DL77516 models only

Curved Simulated Stone Cutting Board with Juice Groove* for:
 GRSSR16-DL77516
 GRSSR18-DL77516
 GRSSR20-DL77516
 Ash Gray Birch Ice

Bulbs – 250W, 120V only
 Clear Coated Red Coated Red Uncoated

- Non-standard colors are non-returnable
- Simulated Stone is Swanstone®
- * All cutting boards are non-returnable

For colors and finishes, please refer to the Color Chip Chart.

IFS anti-microbial coatings use naturally-occurring, environmentally sustainable, silver ions to help inhibit the growth of microbes on the powder coated surface. See www.hatcocorp.com/antimicrobial-paint for more information.

For operation, location and safety information, please refer to the Installation and Operating Manual.



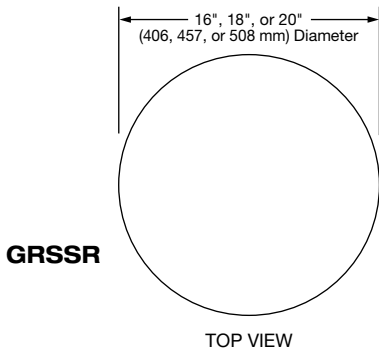
HATCO CORPORATION | P.O. Box 340500 Milwaukee, WI 53234-0500 U.S.A. | (414) 671-6350

www.hatcocorp.com | support@hatcocorp.com | [Find a Hatco Rep](#) | [Image Library](#) | [Document Library](#) | [Patents](#) | [Chat](#)



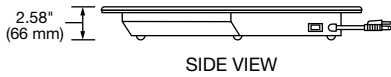
Glo-Ray® Portable Round Heated Simulated Stone Shelves

Models: GRSSR-16, -18, -20; GRSSR16-, GRSSR18-, GRSSR20-DL77516



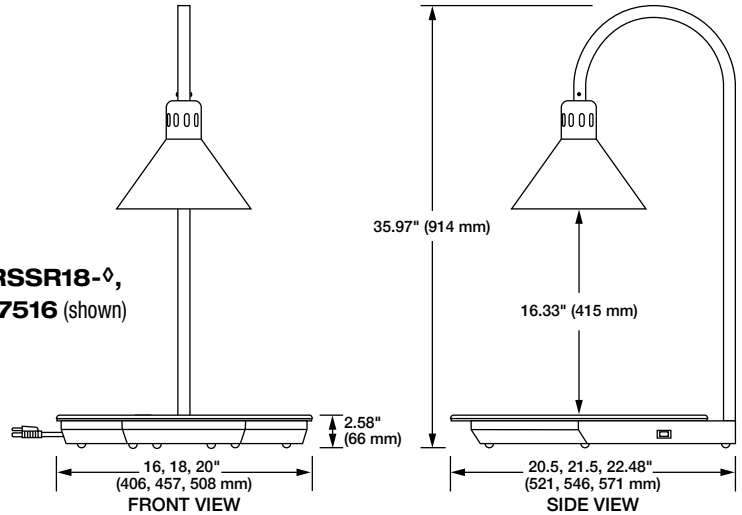
GRSSR

TOP VIEW



SIDE VIEW

GRSSR16- \diamond , GRSSR18- \diamond ,
GRSSR20-DL77516 (shown)



SPECIFICATIONS Glo-Ray® Portable Round Heated Simulated Stone Shelves

The shaded areas contain electrical information for International models

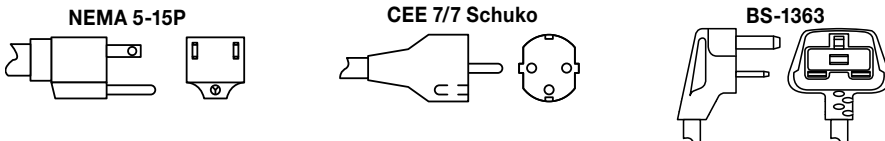
Model	Dimensions (Diameter x Height)	Volts	Phase	Watts	Amps	Plug	Approx. Ship Weight
GRSSR-16	16" x 2.58" (406 x 66 mm)	120	Single	250	2.1	NEMA 5-15P	14 lbs. (7 kg)
		100	Single	180	1.8	NEMA 5-15P	14 lbs. (7 kg)
		220-230 (CE)	Single	190-220	0.8-0.9	CEE 7/7 Schuko	
		230-240 (CE)	Single	220-250	0.9-1.0	BS-1363	
GRSSR-18	18" x 2.58" (457 x 66 mm)	120	Single	325	2.7	NEMA 5-15P	16 lbs. (8 kg)
		100	Single	230	2.3	NEMA 5-15P	16 lbs. (8 kg)
		220-230 (CE)	Single	265-295	1.2-1.3	CEE 7/7 Schuko	
		230-240 (CE)	Single	295-325	1.3-1.4	BS-1363	
GRSSR-20	20" x 2.58" (508 x 66 mm)	120	Single	400	3.3	NEMA 5-15P	18 lbs. (9 kg)
		100	Single	270	2.7	NEMA 5-15P	18 lbs. (9 kg)
		220-230 (CE)	Single	330-370	1.5-1.6	CEE 7/7 Schuko	
		230-240 (CE)	Single	370-400	1.6-1.7	BS-1363	

Glo-Ray® Portable Round Heated Simulated Stone Shelves with Decorative Lamp

Model	Dimensions (W x Depth x H)	Volts	Phase	Total Watts	Total Amps	Plug	Approx. Ship Weight
GRSSR16-DL77516 \diamond	16" x 20.5" x 35.97" (406 x 521 x 914 mm)	120	Single	500	4.2	NEMA 5-15P	27 lbs. (13 kg)
GRSSR18-DL77516 \diamond	18" x 21.5" x 35.97" (457 x 546 x 914 mm)	120	Single	575	4.8	NEMA 5-15P	30 lbs. (14 kg)
GRSSR20-DL77516	20" x 22.48" x 35.97" (508 x 571 x 914 mm)	120	Single	650	5.4	NEMA 5-15P	32 lbs. (15 kg)
		100	Single	450	4.5	NEMA 5-15P	32 lbs. (15 kg)
		220-230 (CE)	Single	550-600	2.5-2.6	CEE 7/7 Schuko	
		230-240 (CE)	Single	600-650	2.6-2.7	BS-1363	

\diamond The 16" (406 mm) and 18" (457 mm) base models have the switch and dial on the opposite side than the 20" (508 mm) base model.

PLUG CONFIGURATIONS



PRODUCT SPECS

Glo-Ray® Portable Round Heated Simulated Stone Shelves

The Portable Round Heated Simulated Stone Shelf shall be a Glo-Ray® model ... as manufactured by the Hatco Corporation, Milwaukee, WI 53234 U.S.A.

The Glo-Ray Portable Round Heated Simulated Stone Shelf shall be rated at ... watts, ... volts, and ... inches (millimeters) in overall width. It shall consist of a food-safe material, thermostatically-controlled heated base, and a 6' (1829 mm) cord with plug attached. The Lamp shall be ... inches (millimeters) in overall length and be ... inches (millimeters)

away from the shelf. It shall consist of a powdercoated vented lamp shade in anti-microbial Designer Color with heat bulb and mounting. Options include Designer Color for base or risers, two simulated stone colors. Accessories for the GRSSRxx-DL77516 include a cutting board and bulbs.

All Hatco blanket heating elements warranted against burnout for one year, U.S. and Canada only.

HATCO CORPORATION | P.O. Box 340500 Milwaukee, WI 53234-0500 U.S.A. | (414) 671-6350



www.hatcocorp.com | support@hatcocorp.com | [Find a Hatco Rep](#) | [Image Library](#) | [Document Library](#) | [Patents](#) | [Chat](#)