



WFP16SC

4-Quart LiquiLock® Seal System Combination Bowl Cutter Mixer and Continuous-Feed Food Processor



MAIN FEATURES

- 4-quart, virtually unbreakable, clear-view cutter mixer bowl
- LiquiLock® Seal System prevents leaks, splashes, and spills
- 2 HP* commercial motor with thermal overload protection
- Heavy-duty, die-cast housing with solid base
- Large, easy-to-read control buttons
- PULSE feature fine-tunes food processing and breaks down heavy loads
- Over 20 processing options in one machine
- Unique batch bowl processing for optimal efficiency
- Shred, grate and slice directly in the batch bowl with the included disc stem
- Extra-large feed chute with small and large food pusher
- Continuous-feed chute for large-volume slicing and shredding
- Safety interlock system prevents unit from operating unless correctly assembled
- Limited Five-Year Motor and Two-Year Parts and Labor

ELECTRICAL

Voltage: 120

Frequency: 60Hz

Amps: 6

Plug Type: 5-15

Cord Length: 5 feet



SALES FEATURES

Completely sealed for use with liquids, now you can use your WFP16SC combination bowl cutter mixer and continuous-feed food processor for more than dry food prep! High-impact, virtually unbreakable and scratch-resistant polycarbonate lets you see into the bowl. Lighter than metal, but built for tough use. Rugged, black polycarbonate hopper is scratch resistant. Durable see-through cover provides clear view while processing.



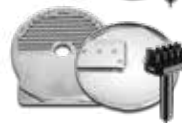
@waringcommercial

©2022 Waring Commercial
314 Ella T. Grasso Avenue, Torrington, CT 06790
Tel. 800-492-7464 • Fax 860-496-9008

waringcommercialproducts.com

4-Quart LiquiLock® Seal System Combination Bowl Cutter Mixer and Continuous-Feed Food Processor

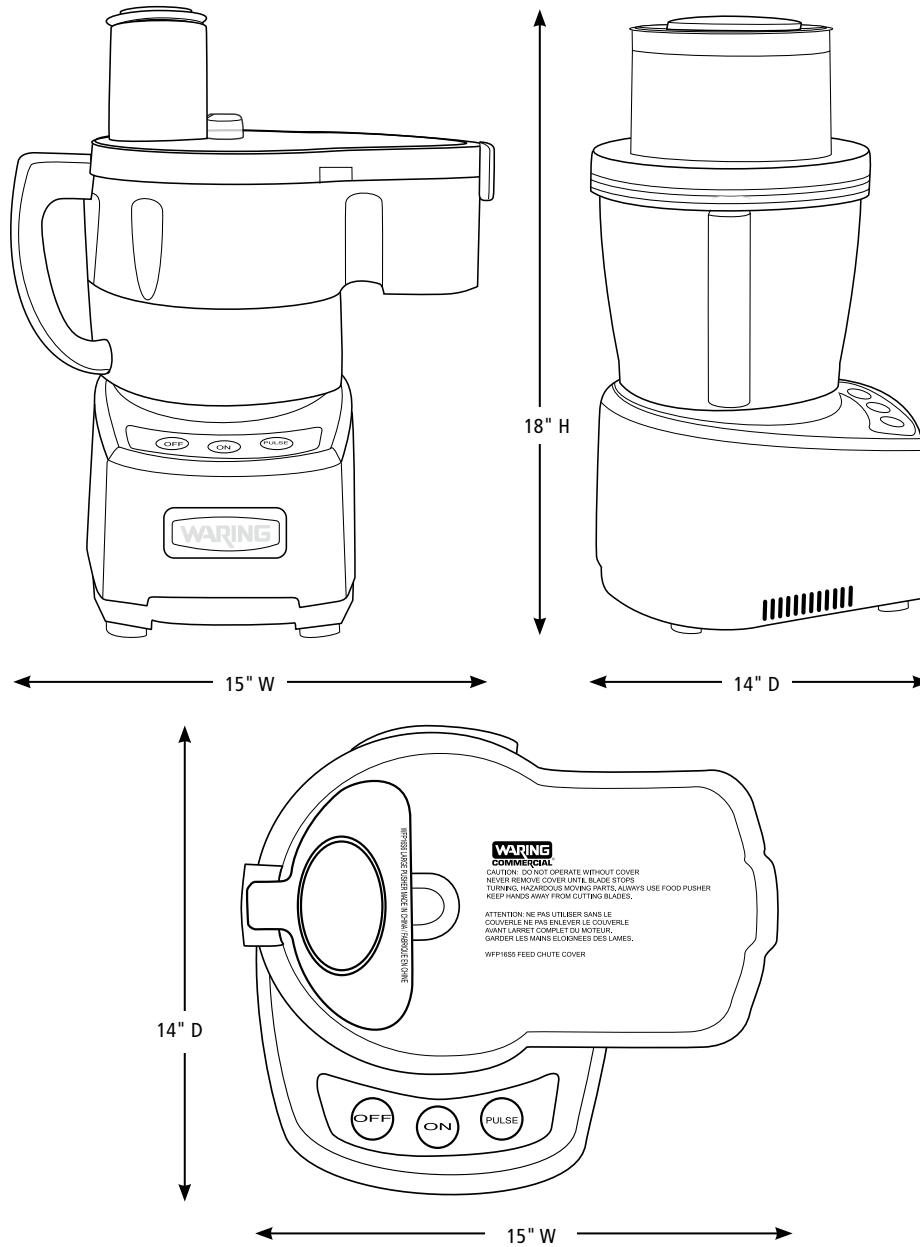
WFP16SC

**PARTS AND ACCESSORIES (INCLUDED)****WFP16S1**
Sealed LiquiLock® S-Blade (Patented)**WFP16S2**
4 Qt. Cutter Mixer Bowl Sealed LiquiLock®**WFP16S3A**
4 Qt. Cutter Mixer Bowl Lid Sealed LiquiLock®**WFP16S4**
Continuous Feed Hopper**WFP16S5**
Continuous Feed Hopper Lid**WFP16S6**
Large Pusher for Hopper**WFP16S7**
Small Pusher for Hopper**WFP16S8**
Ejection Plate Slinger
(component of continuous feed hopper)**WFP16S9**
New Disc Stem for WFP16S10, WFP16S12A**WFP16S10**
Adjustable Slicing Disc (Patented)**WFP16S11**
Sealed Whipping Disc**WFP16S12A**
Double-Sided Shredding Disc**PARTS AND ACCESSORIES (OPTIONAL)****WFP16S16**
Grating Disc**WFP16S18**
Continuous Feed Hopper, Lid Assembly
with Slinger & Dicing Assembly**WFP16S19**
5/16" (8mm) Punch Tool for Dicing Grid**WFP16S20**
3/8" (10mm) Punch Tool for Dicing Grid**WFP16S21**
1/2" (12mm) Punch Tool for Dicing Grid**WFP16S22**
5/32" (4mm) Julienne Disc**WFP16S23**
6.5mm Julienne Disc**WFP16S24**
5/16" (8mm) Julienne Disc**WFP16S25**
5/16" (8mm) Dicing Grid and Slicing Disc
with Punch Tool for Dicing Grid**WFP16S26**
3/8" (10mm) Dicing Grid and Slicing Disc
with Punch Tool for Dicing Grid**WFP16S26X**
3/8" (10mm) Dicing Grid and Slicing Disc
with Punch Tool for Dicing Grid**WFP16S27**
1/2" (12mm) Dicing Grid and Slicing Disc
with Punch Tool for Dicing Grid**WFP16S28**
Removable Gasket for 4-Qt.
Cutter Mixer Bowl Lid WFP16S3A



4-Quart LiquiLock® Seal System Combination Bowl Cutter Mixer and Continuous-Feed Food Processor WFP16SC

DIMENSIONS



Out of Box Weight: 22.8 lb.

ORDERING INFORMATION	#STD. PKG.	GIFTBOX WEIGHT	CUBIC FEET	BOX DIMENSIONS D X W X H	UPC	CASE PKG.	MC WEIGHT	MC DIMENSIONS D X W X H	MBC
WFP16SC – 4-Quart LiquiLock® Seal System Combination Bowl Cutter Mixer and Continuous-Feed Food Processor	1	35.5	4.13	15.25" x 21.625" x 21.625"	040072022494	1	35.5	22.125" x 15.75" x 22.375"	10040072022491



@waringcommercial

©2022 Waring Commercial
 314 Ella T. Grasso Avenue, Torrington, CT 06790
 Tel. 800-492-7464 • Fax 860-496-9008

waringcommercialproducts.com

22WC081519 / REV 3/22