

Cleveland

TURBOJET II COOK CHILL TANK

BchVWF _____
:fW _____
CgS ffrk _____
85E: EVWF[a` ##&`" _____
3bbchW _____
6SFW _____

Cook Chill Systems

Models

† : 455#" "



? aVWeZai ` : 455#" "

Standard Features

- † DSAFW USbSuf[Ve`Xad#`" " YS`a` eadgb fa +`" " TēzaXbchVgUf
- † 3UJgdSfVAB>5 La` fch`ei [fZ : ? ; _ ag` fW [eS[`VēefVW` @7? 3 &J dSFW WU`aegdVē
- † BSbVWVēVSFS dVAd/[Y`XadbVē_ S` WfdVAd/[Y`axi SFW`S` V bchVgUf fV_ bVdSfgdVēS` V f_ Vē
- † 5adVW_ bVdSfgdV_ Vēf bchTWAdUa` fch`f Y Uaa] [Y S` V Uaa f Y
- † 3gfa_ Sf[Ubai VdXS[gdVēSXVēk La` fch`^
- † : VShk Vgfk eS[`VēefVW`FS`] i fkbW% & La` efcjUf[a` i [fZ SVgefST W`Vē
- † Dag` VW [fVd S`fS`] Uad VēXadVW[UWf Uaa f Y S` V Vēk UVē [Y
- † 8g`k [eg`SFW fS`] i [fZ ZVShk Vgfk eS[`VēefVW`dV_ ahST `MbdVgUf egbbad`bS` W`
- † 3gfa_ Sf[Ui SFW`X`S` Vi SFW`VW`Ua` fch`ei [fZ ahVdXei` bchfVW[a`
- † 4g[fZ ` ` Zb U[dj`Sf[Y bg_ b`Xad_ Sj [g_ V[fcdTgr[a`
- † : [YZ VW[UW`Lk eZV`S` V fgTVZVēfZjYUZS` YVdXadSefVdVbchVgUf Uaa f Y
- †) \$=I VWUfdUZVēf VW_ W feXadcg[U] ZVēf gb i [fZ _ [L` S`ahVēZaaf axfV_ bVdSfgdV`%(!&(" ha`f
- † 3`b`g_ T[Y La` ` VUf[a` eegbb`V i [fZ f Vēfcd[Vē
- † 5`Vē [Y UkUWLa` fch`eXadUVē [Y S` V VW`dVē[Y Uaa] fS`] S` V ZVēf VjUZS` YVē
- † FS`] [UgvVēa` WLa_ b`VW`TSe] VēeV`XadbchVgUfe
- † : VShk Vgfk eS[`VēefVW`VSeebd[Y See[efW`^aU] ST `WUahVd
- † 3UWb`fW` XadgēV[GZēZēZē;` ebVUfW` 8SU[ffVē
- † @EB 3@E; eS` VSD/ #(+ SbbchW

Short Form Specifications

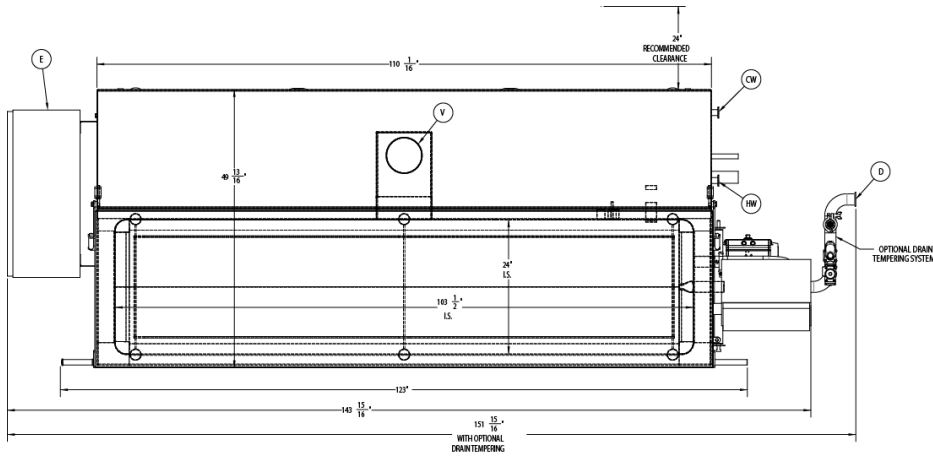
EZS`TW5`VW`S` V? aVW: 455#" " 5aa] 5Z[`FS`]† DSAFW 5SbSufk axgb fa +`" " Tēz`g`k [eg`SFW` eS[`VēefVW`FS`] S` V U[dj`Sf[a` bg_ b`Xad abf_ g_ i SFW`V[efcdTgr[a` zEa fV eSfVAB>5 TSeW Ua` fch`eWU`aēV [G>dSFW` eS[`VēefVW`FKB7 @7? 3 &J WU`aegdVēBSbVdVēdVAd/[Yi [fZ _ Vēf bchTW`XadbVē_ S` WfdVAd/[Y Uaa] [Y f_ VēS` V fV_ bVdSfgdVēZBai VdXS[gdVēSXVēk La` fch`Z5`Vē [Y UkUVēXadVW`dVē[Y S` V UVē [Y fZVFS`] S` V ZVēf VjUZS` YVēZFS`] [UgvVēa` WLa_ b`VW` TSe] VēeV`XadbchVgUfeZ`aU] ST `WVSeebd[Y See[ef UahVdSeeV_ T`kz6[dVUf Vj`bS` eja` dVēfVēS` f [f VZVēf VjUZS` YVdXadUaa f Y UkUVē ;` f VWUfdUZVēf VjUZS` YVdXadbchVdVēZVēf Y ax i SFW`XadUaa] UkUVē

Options & Accessories

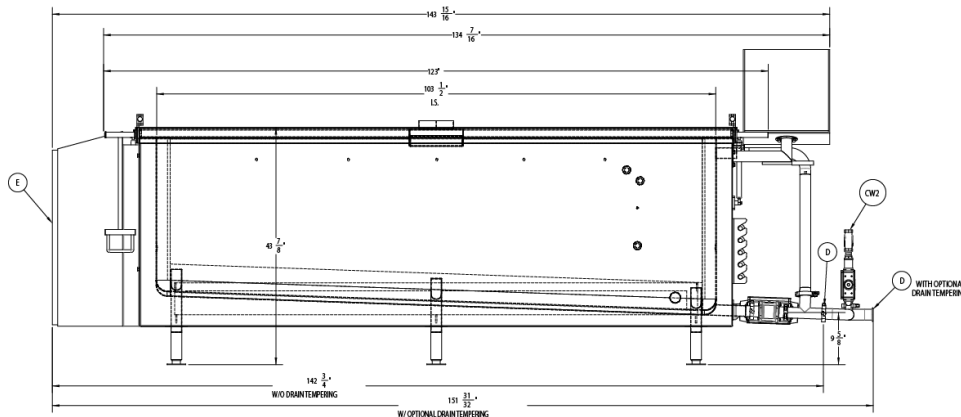
- † 7j fcdTSe] VēeV`
- † 6a`k XadTSe] VēeV`
- † : a[efeXad`aSV[Y S` V g` `aSV[Y bchVgUf TSe] Vēe
- † 5a_ bgfVd[fVēSUMLa` ` VUf[a` e
- † EbSdV_ Vēf bchTW
- † Drain Tempering System
- † %(!`!`\$%` H VWUfdUS`^
- † %(!`!`\$` * H VWUfdUS`^
- † DV_ aFW_ ag` fW`#` : b S[dUaa`W` Ua` VW`e[Y g` [f
- † DV_ aFW_ ag` fW`#` : b i SFW`Uaa`W` Ua` VW`e[Y g` [f
- † >[x`agf TSe] W`UScd[Vd
- † 4Se] W`UScd[VdVa`k

Cleveland

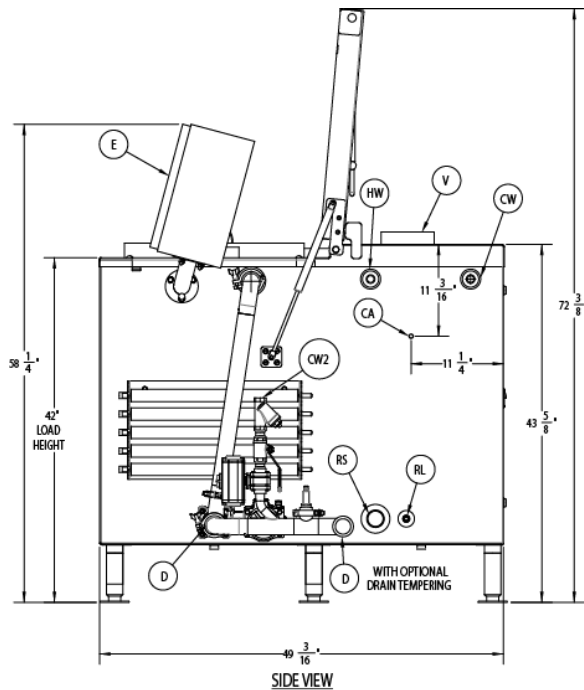
Cook Chill Systems



PLAN VIEW



FRONT VIEW



SIDE VIEW

MINIMUM CLEARANCE
(as illustrated)

- REAR 24"
- RIGHT SIDE 12"
- LEFT SIDE 40"

MINIMUM CLEARANCE
(with Electrical Box remote mounted for reduced floor space)

- REAR 24"
- RIGHT SIDE 12"
- LEFT SIDE 8"

Crate Size: 155"L x 60"W x 75"H
Crate Weight: 3,600 lbs
Rate of Class: 85

- CW** Cold Potable Water: 1" T-C, 155 Gal. Capacity
- HW** Hot Potable Water: 1" T-C, 155 Gal. Capacity @ 125°F
- D** Drain: 2" T-C, 75 GPM
- V** Exhaust Vent: 6" ID, 200 CFM
- CA** Compressed Air: 1/4" NPT, 5 CFM Req'd @ 90 PSI
- P** Pump: 5 HP, 3 Phase, 3450 RPM
- RL** Refrigerant Liquid Line: 7/8" ODF
- RS** Refrigerant Suction Line: 2 1/8" ODF, 140,000 BTU/HR @+25° FSST, @95°F Ambient
- OF**
- E** Electrical: 3PH, 60CYC, 208V, 230 Full Load Amps
 3PH, 60CYC, 230V, 211 Full Load Amps
 3PH, 60CYC, 480V, 102 Full Load Amps
 Connections per Local Codes (Customer to specify requirements)

18/2 shielded wire to be ran with the refrigeration lines. See install instructions for details of connections.

Cleveland Range reserves right of design improvement or modification, as warranted.

760 Beta Drive, Unit D
 Mayfield Village, Ohio 44143

Tel 1.216.481.4900
 Fax 1.216.481.3782
 Email steam@clevelandrange.com

www.clevelandrange.com
 Section 11, Page 30
 01 / 2025

Timeless Quality, Trusted For Life®