

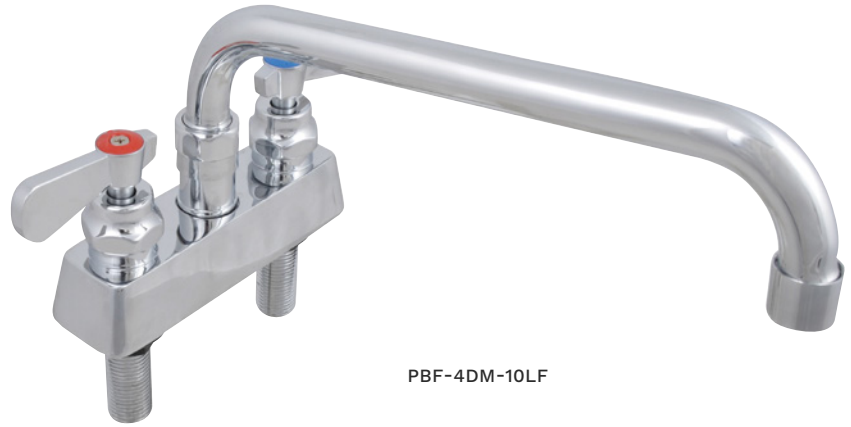
"PBF-4DM-LF" HEAVY DUTY FAUCETS

Low-Lead, Deckmount w/Swing Spout, 4" O.C.

FEATURES:

- Heavy Duty Double Seat 1/4" Turn Ceramic Cartridges
- Color Coded Hot & Cold Indicators
- Double O-Ring Spout Seal
- High Polished Triple Dipped Chrome Finish
- Integral Check Valve
- Lead Free Compliant

CERTIFICATIONS:



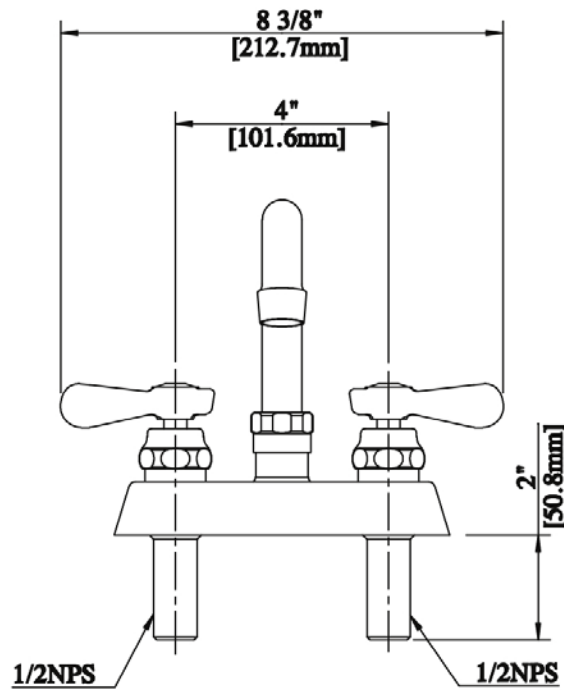
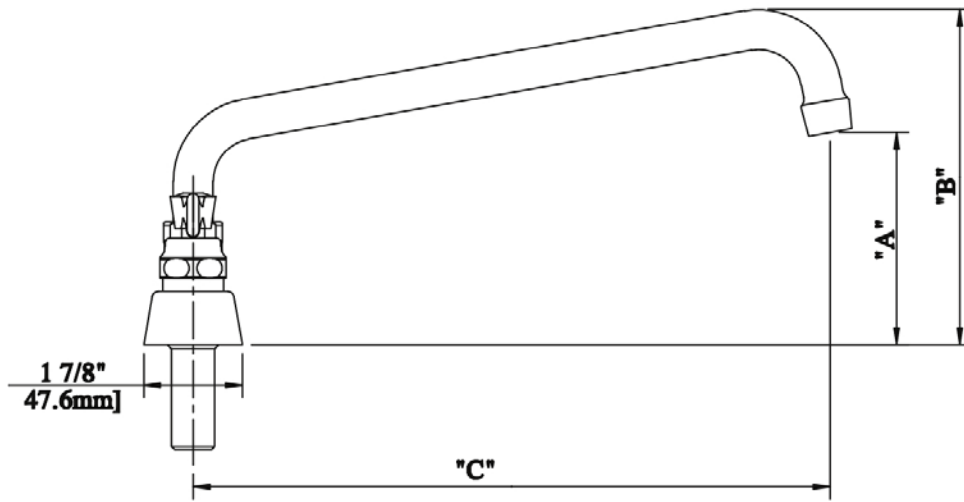
PBF-4DM-10LF

"PBF-4DM-LF" LOW-LEAD HEAVY DUTY FAUCETS

MODEL	DESCRIPTION	A	B	C	WEIGHT (LBS)
PBF-4DM-6LF	6" Swing Spout	2.75"	5"	6"	6
PBF-4DM-8LF	8" Swing Spout	3.16"	5.37"	8"	6
PBF-4DM-10LF	10" Swing Spout	3.56"	5.75"	10"	6
PBF-4DM-12LF	12" Swing Spout	3.88"	6.16"	12"	6

ALL DIMENSIONS ARE TYPICAL. TOLERANCE +/- .500". JOHN BOOS & CO. RESERVES THE RIGHT TO CHANGE SPECIFICATIONS WITHOUT NOTICE.

DETAILED SPECIFICATIONS



"PBF-4DM-LF" LOW-LEAD HEAVY DUTY FAUCETS

MODEL	DESCRIPTION	A	B	C	WEIGHT (LBS)
PBF-4DM-6LF	6" Swing Spout	2.75"	5"	6"	6
PBF-4DM-8LF	8" Swing Spout	3.16"	5.37"	8"	6
PBF-4DM-10LF	10" Swing Spout	3.56"	5.75"	10"	6
PBF-4DM-12LF	12" Swing Spout	3.88"	6.16"	12"	6

ALL DIMENSIONS ARE TYPICAL. TOLERANCE +/- .500". JOHN BOOS & CO. RESERVES THE RIGHT TO CHANGE SPECIFICATIONS WITHOUT NOTICE.