

## GENERAL INFORMATION

Project Name: \_\_\_\_\_  
 Item: \_\_\_\_\_  
 Quantity: \_\_\_\_\_  
 Model: \_\_\_\_\_ FT  
 Length: \_\_\_\_\_

## GENERAL SPECIFICATION

### Materials

- 14-Gauge Brushed Finish Type 304 Stainless
- 6" Diameter Box Pattern Stainless Drain
- Removable Perforated Stainless Basket
- 1/8" x 1" Type 304 Stainless Subway Grate with 3/8" Stainless Reinforcement Rods (minimum of 2)

### Construction

- NSF Standard 2 Construction
- Coved Corner Pan
- True Positive Pitch Toward Drain
- 3-15/16" I.D. 6" Long Stainless Tailpiece
- Maximum Gap Between Grate Bars of 13/16"
- Maximum Space Between Reinforcement Rods of 6"

## TROUGH MATERIAL OPTIONS

- 12-Gauge Brushed Finish Stainless
- Type 316 Stainless

## TROUGH FINISH OPTIONS

- Sand Blast
- Mirror Polished

## GRATE TYPE OPTIONS

- 3/16" x 1" Stainless Subway Grate
- 1/4" x 1" Stainless Subway Grate
- Anti-Slip Fiberglass Grating
- Custom Bar Centerlines: Dimensions \_\_\_\_\_
- Type 316 Stainless

## MODELS AND DIMENSIONS

Sizes WxL	24"	36"	48"	60"	72"	84"	96"	108"	120"
12"	FT-1224	FT-1236	FT-1248	FT-1260	FT-1270	FT-1284	FT-1296	FT-12108	FT-12120
18"	FT-1824	FT-1836	FT-1848	FT-1860	FT-1872	FT-1884	FT-1884	FT-18108	FT-18120
24"	FT-2424	FT-2436	FT-2448	FT-2460	FT-2472	FT-2484	FT-2484	FT-24108	FT-24120
30"	FT-3024	FT-3036	FT-3048	FT-3060	FT-3072	FT-3084	FT-3084	FT-30108	FT-30120

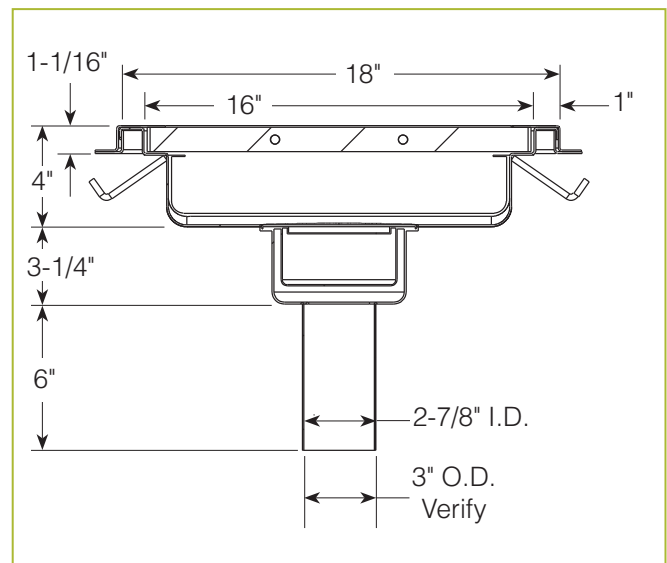
## \* Approval Drawings Required

Printed in the U.S.A. (April 2017) BSI, LLC  
 Specifications subject to change without notice.

Rv. 7



## FT Floor Trough



## OTHER OPTIONS

- Off-Center Drain
- Extended Drain Pan Without Grate (see model FTDP)
- 1/4" Stainless Rod J-Anchors Around Trough Exterior