

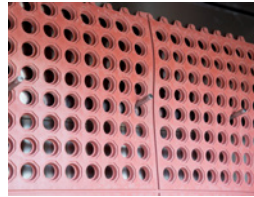
"PBMC" MAT WASH CABINET 16GA Sink Bowl

FEATURES:

- Type 300 Stainless Steel With #4 Polish Satin Finish
- All Exposed Hardware Is Tamper Proof
- Includes Overhead Shelf For Storage
- (2) Swing Lockable Louvered Doors
- (1) 6" Deep Sink Bowl
- Bottoms Of Bowls Formed For Drainage To 3-1/2" Diameter Die Stamped Opening
- Includes (1) Heavy Duty Service Faucet (PBF-SS-6)
- Includes (1) 10" Service Faucet Hose (PB-HOSE-120)
- Rear Mounted Mat Holder
- (2) Side Mounted Mop Holders With Locking Cams
- Mounting Location Of Service Faucet Can Be Specified By Kitchen Equipment Contractor
- 3-1/2" Drain Accepts 2" Male Drain Pipe

SPECIFICATIONS:

- Cabinet: Stainless Steel Cabinets TIG Welded, Exposed Edges Are Polished To Match Adjacent Surface
- Cabinet: 18GA Type 300 Stainless Steel With #4 Polish, Satin Finish
- Aluminum Door Latch Rod
- 18GA Type 300 Cabinet
- 16GA Type 300 Sink Bowl And Deck



MAT HANGERS



FOLD DOWN CHEMICAL SHELF



MOP/BROOM HOLDER



PBF-SS-6



PB-HOSE-120

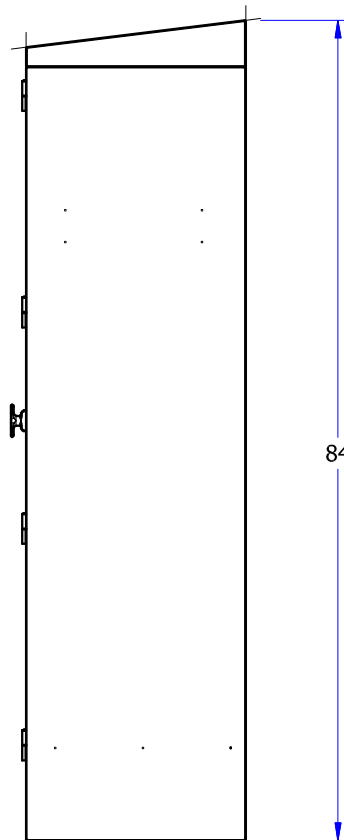
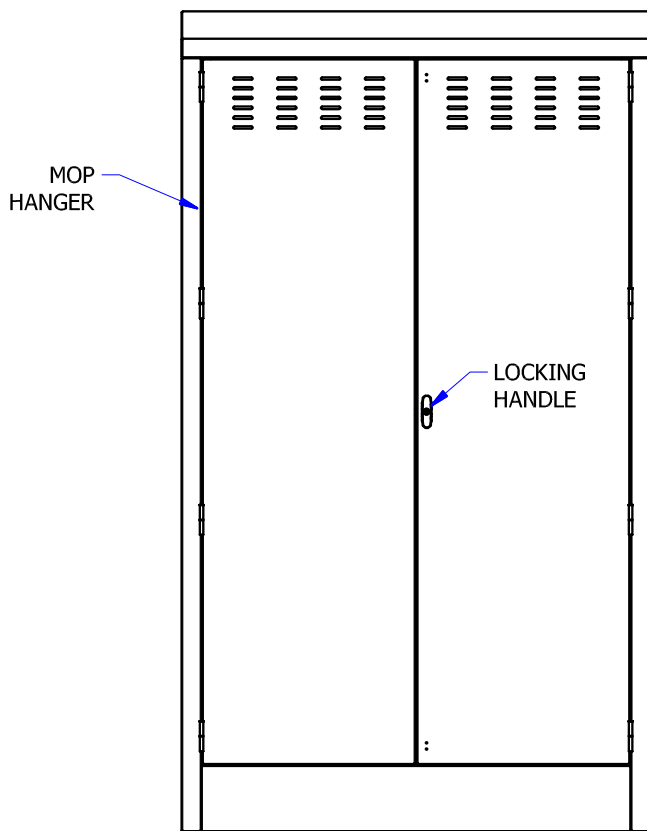
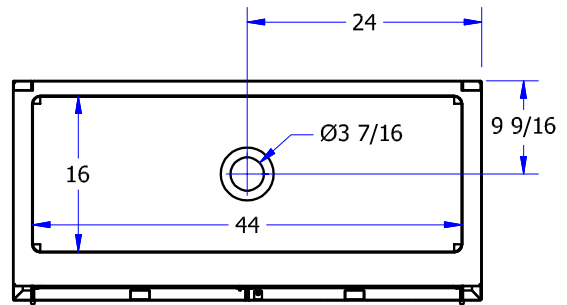
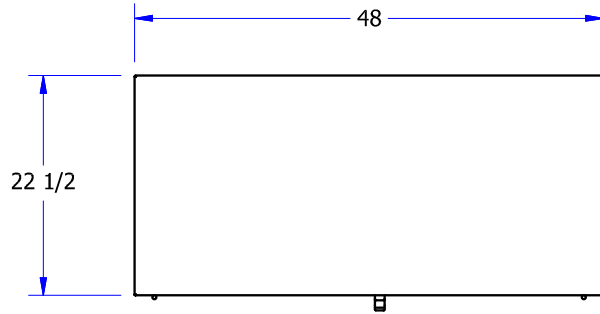


"PBMC" MAT CABINET WITH SINK

MODEL	OVERALL SIZE (L X W X H)	WEIGHT (LBS)
PBMC-224884	22-1/2"x48"x84"	280

ALL DIMENSIONS ARE TYPICAL. TOLERANCE +/- .500". JOHN BOOS & CO. RESERVES THE RIGHT TO CHANGE SPECIFICATIONS WITHOUT NOTICE.

DETAILED SPECIFICATIONS



"PBM" MAT CABINET WITH SINK

MODEL	OVERALL SIZE (L X W X H)	WEIGHT (LBS)
PBMC-224884	22-1/2"x48"x84"	280

ALL DIMENSIONS ARE TYPICAL. TOLERANCE +/- .500". JOHN BOOS & CO. RESERVES THE RIGHT TO CHANGE SPECIFICATIONS WITHOUT NOTICE.