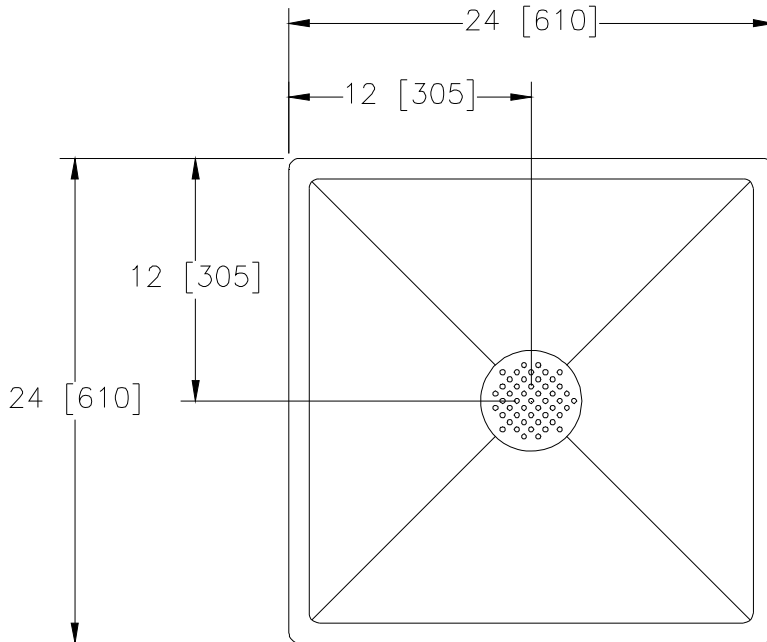
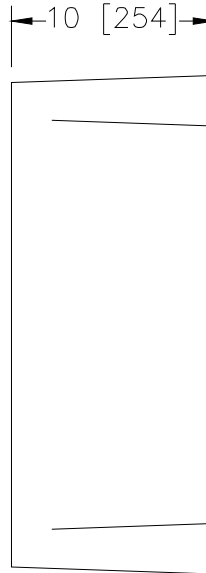
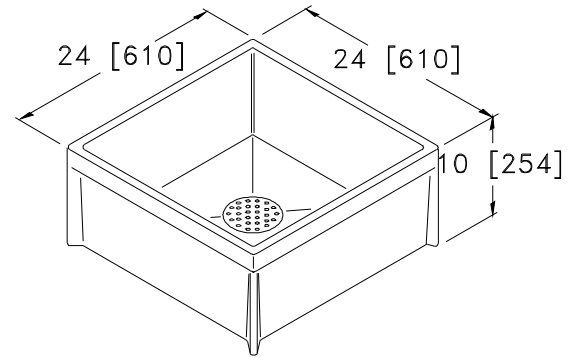


Dimensional Data (inches and [ mm ]) are Subject to Manufacturing Tolerances and Change Without Notice



Product	Mop Basin Size	Approx. Wt. Lbs. [kg]
__Z1996-24	24 x 24 x 10 [610 x 610 x 254]	50 [23]

**ENGINEERING SPECIFICATION: Z1996-24**

Mop Service Basin 24 x 24 x 10 [610 x 610 x 254] Molded high density composite basin, PVC drain body, stainless steel strainer and 3 [76] gasketed outlet connection. Certifications: Meets ANSI Z124.6, CSA listed, and IAPMO listed under file # 3561.

**OPTIONS** (Check/specify appropriate options)

**SUFFIXES**

- \_\_\_ -AW White Body
- \_\_\_ -BS Stainless Steel Bumper Guard
- \_\_\_ -BV Vinyl Bumper Guard
- \_\_\_ -HH Hose and Hose Bracket
- \_\_\_ -MH Mop Hanger
- \_\_\_ -NHG PVC Drain Gasket for No-Hub Pipe
- \_\_\_ -PRP Pipe Reducer for PVC Drain
- \_\_\_ -PRS Pipe Reducer for Stainless Steel Drain
- \_\_\_ -SDL Stainless Steel Drain with Dome Strainer, Lint Basket and Locking Nut
- \_\_\_ -SF Service Faucet
- \_\_\_ -WG Wall Guard #20 Gage Type 304 Stainless Steel (2 Panels-Indicate Size)

