



One Compartment Utility Sink

Stainless Steel Compartment Sinks



Use your smart phone to scan the above QR code to visit our website:
www.bk-resources.com

Certifications:



Features:

- 1 1/2" Rounded Front and Side Edges
- Accommodates 8" On Center Faucets
- Drain Included
- 9" Backsplash
- 6 Month Warranty for T-430 units
- 1 Year Warranty for T-304 units

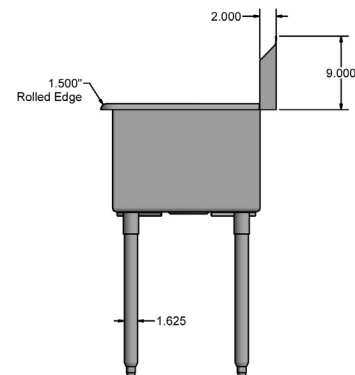
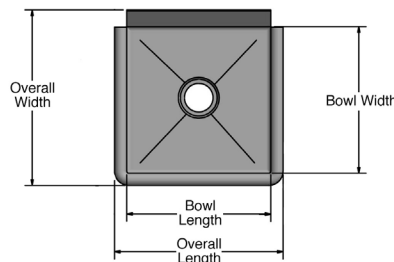
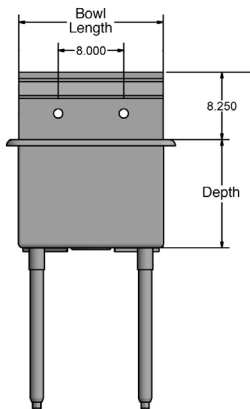
Material:

- 1 5/8" Galvanized Legs
- Adjustable High Impact Corrosion Resistant Feet

Options:

- Faucets
- Lever Drains
- Water Lines

Part Number	Unit Size (l x w)	Bowl Dim. (l x w x d)	Steel Gauge	Material	Product Weight (lbs)	Warranty
BKUS-1-18-14	21" x 21 1/2"	18" x 18" x 14"	18	T-304	30.00	6 Month
BKUS-1-24-14	27" x 27 1/2"	24" x 24" x 14"	18	T-304	38.00	6 Month
BKUS6-1-2421-8	27" x 24 1/2"	24" x 21" x 8"	16	T-304	36.00	6 Month
BKUS6-1-1821-14	21" x 24 1/2"	18" x 21" x 14"	16	T-430	32.00	1 Year
BKUS6-1-2421-14	27" x 24 1/2"	24" x 21" x 14"	16	T-430	43.00	1 Year
BKUS6-1-3624-14	39" x 27 1/2"	36" x 24" x 14"	16	T-430	57.00	1 Year



PRODUCT DATA SHEET

BK RESOURCES

