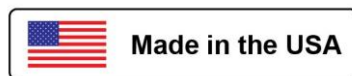




JOB:  
ITEM:  
QTY:



## ROOM SERVICE CART

### APPLICATION:

With this cart's pass through design, it is easy to transport trays. Whether it be unloading or loading this cart makes the job easy.

### MATERIAL:

Uprights are constructed of 1"x2 1/2" x.125" wall channel, Top is constructed of .080" thick sheet, base is constructed of .125" thick sheet, and angle runners are 1 1/2"x1 5/8"x.125" wall.

### CASTERS:

This cart comes equipped with four 6"x2" "softie" platform type casters. Two casters are rigid and two are swivel.



Model #97655

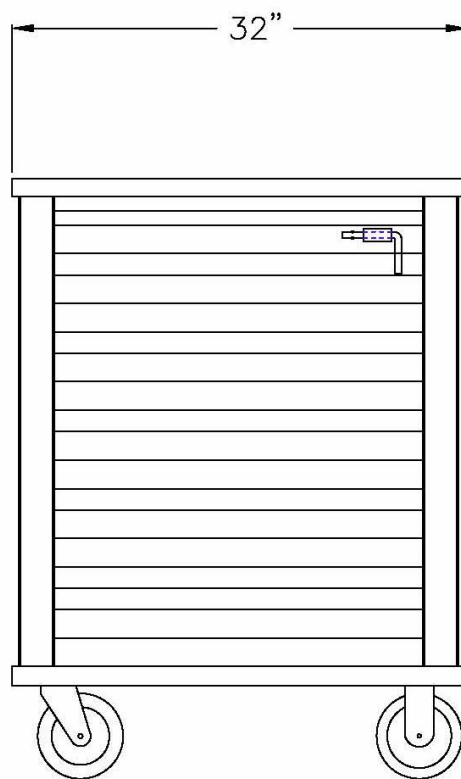
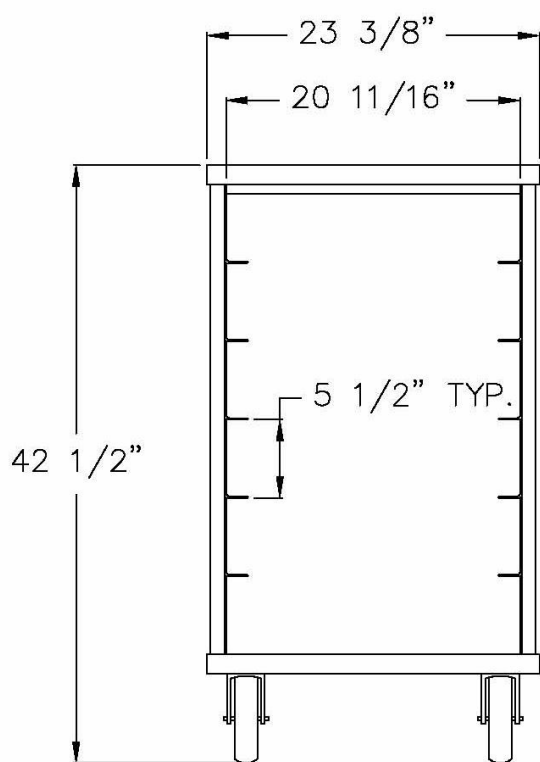
### GUARANTEE:

These carts carry a **Lifetime Guarantee** against rust and corrosion and also carry a **Five-Year Guarantee** against material defects and workmanship.



Phone:800-255-0104  
Fax: 877-877-7687  
[www.newageindustrial.com](http://www.newageindustrial.com)  
[sales@newageindustrial.com](mailto:sales@newageindustrial.com)

New Age Industrial reserves the right to modify or make changes at any time without notice to materials and specifications.



**Model #97655**

Model No.	Size-W	Size-H	Size-D	Runner Spacing	Angle Runners
<b>ROOM SERVICE CART WITH ALUMINUM DOORS</b>					
97655	23 3/8"	42 1/2"	32"	5 1/2"	5 PAIR
<b>ROOM SERVICE CART WITH CLEAR DOORS</b>					
97655CD	23 3/8"	42 1/2"	32"	5 1/2"	5 PAIR



Phone: 800-255-0104  
 Fax: 877-877-7687  
[www.newageindustrial.com](http://www.newageindustrial.com)  
[sales@newageindustrial.com](mailto:sales@newageindustrial.com)

New Age Industrial reserves the right to modify or make changes at any time without notice to materials and specifications.