

Project \_\_\_\_\_

Item Number \_\_\_\_\_

Quantity \_\_\_\_\_

SRM12+ Mixer



\*Shown with optional PTO

## 12 Quart (qt.) Countertop Mixer MADE IN THE USA

### Model:

- SRM12+: 12 qt. COUNTERTOP MIXER (WITH OR WITHOUT PTO HUB)



### Standard Accessories:

- 12 qt. stainless steel bowl
- Dough hook
- Batter beater
- Wire whip
- Ingredient chute
- Bowl scraper

### Optional Accessories:

- 15 minute timer
- Heavy duty SS wire whip
- Sweet dough beater
- Stand
- 12 qt. pastry knife
- Four wing beater
- Cover

### Optional Attachments:

- VS9 vegetable slicer with adjustable knife
- VS9H vegetable shredder with plate holder and 3/16" plate (additional plate size variations, grater plates, and julienne plate available)
- ALMFC12 meat and food grinder

### Warranty:

- Two year, on-site parts and labor

Countertop Mixer

Univex Corporation

### Features:

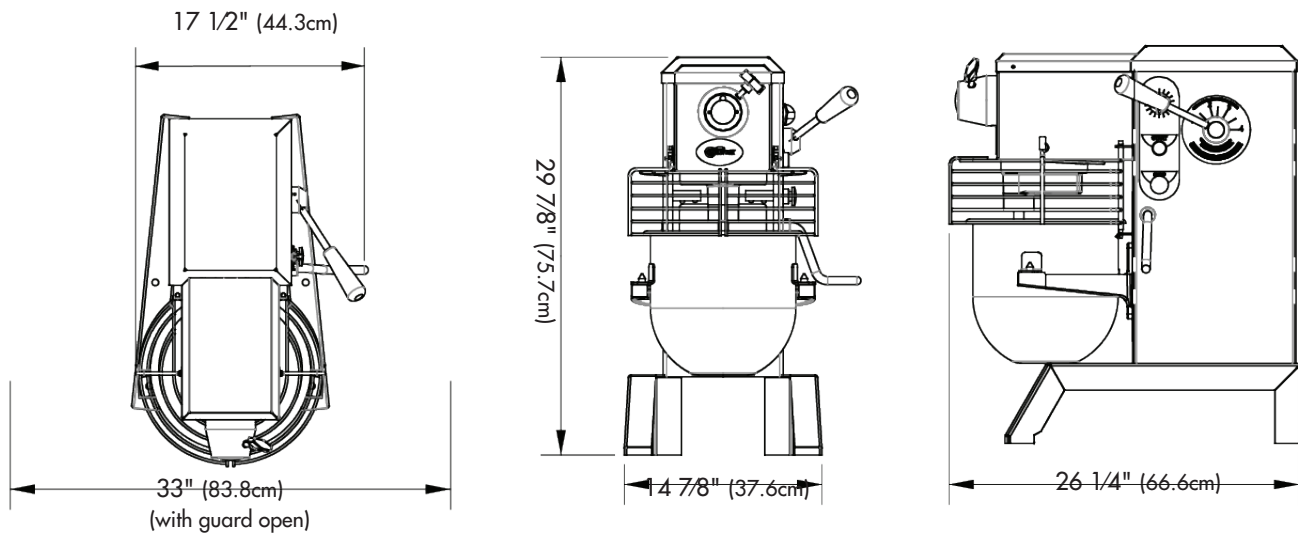
- 1/3 hp capacitor start motor
- Variable Speed Drive: 4 fixed speeds or any speed in-between
- Change speeds without having to stop the mixer
- Two-piece, stainless steel, dishwasher safe safety guard
- Heavy-duty stainless steel bowl
- #12 Power Take Off (PTO) hub
- Interlock switches protect operator from injury if safety guard is open or bowl is lowered
- Hardened alloy gears in transmission
- Durable NSF approved hybrid epoxy/polyester powder coat finish



WE RAISE THE BAR. WE SET THE STANDARD.

# 12 Quart Countertop Mixer

# SRM12+



\*Shown with optional PTO and timer

## Shipping Information

Net Weight	Shipping Weight	Overall Dimensions	Cubic Measure
146 lbs. (66.2Kg)	217 lbs. (98.4Kg)	41" (104.1cm) H x 33" (83.8cm) W x 22" (55.9cm) D	17.2ft. <sup>3</sup> (0.49M <sup>3</sup> )

\*The weight and dimensions of the pallet are included in the weight and dimensions above.

NEMA #: 5-15P

Electrical Information (60Hz)			
Attached 6 foot cord	Voltage	Phase	Amps
Standard Voltage	115	1	6.2
Optional Voltage	208-240	1	3.1

Mixer Speeds				
Speed	1	2	3	4
Beater Shaft (RPM)	152	228	321	406
PTO (RPM)	117	178	231	316

Bowl Capacity: 15 qts. (14.2 liters)

Motor: 1/3 hp capacitor start

Controls: Momentary contact stop & start buttons and contactor

Bowl Lift: Ergonomic hand operated crank, self locking in top and bottom position

Transmission: Featuring hardened alloy gearing and torque sensing variable speed pulleys

Power Take Off (PTO): #12 Hub



Univex Corporation  
www.Univexcorp.com

3 Old Rockingham Rd  
Salem, NH 03079  
United States of America

TEL: (800)258-6358  
INTL TEL: (603)893-6191  
FAX: (800)356-5614  
INTL FAX: (603)893-1249