



Three Compartment Dish Table with S/S Legs & Bracing - Right Side

Dish Tables



Use your smart phone to scan the above QR code to visit our website:
www.bk-resources.com

Certifications:



Features:

- 18" x 20" x 14" (d) Bowls
- 1 5/8" Rolled Edge
- (3) BKDR-4 Basket Drains Included
- (2) BK-SDTS Tray Guide
- (1) BK-PRB-5 Pre-Rinse Basket
- PG Unit Includes BKF-SMPR-WB-G & (3) BK-LWR-1 & Installed Lever Drain Brackets

Material:

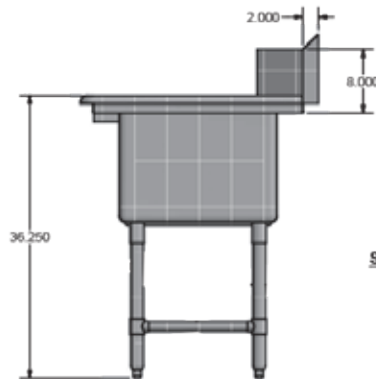
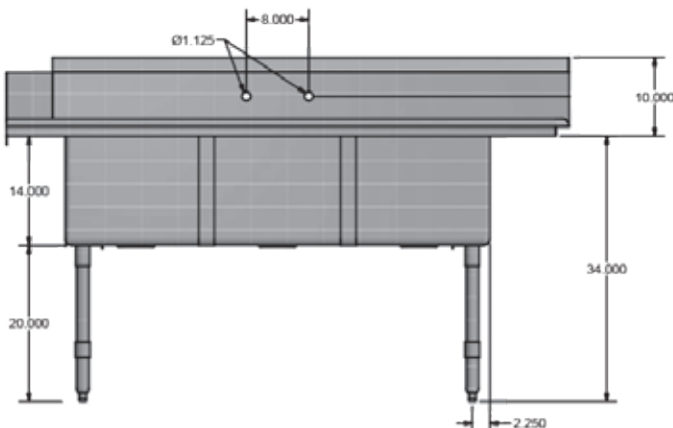
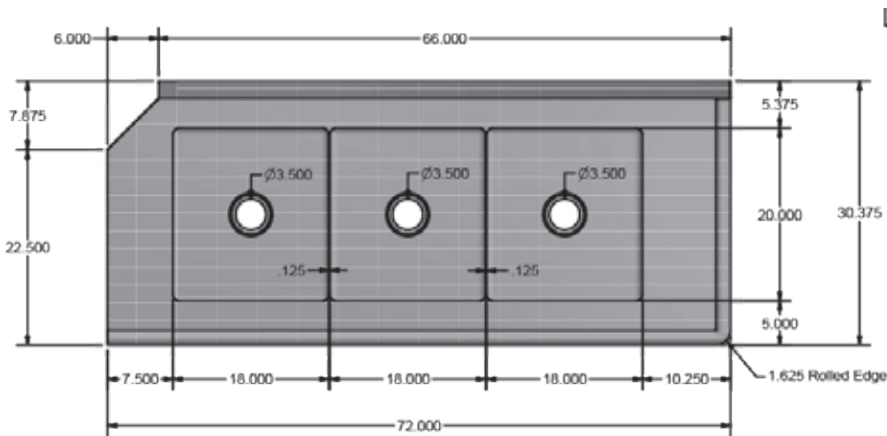
- T-304 18 ga. Stainless Steel Top & Bowl
- Stainless Steel Legs & Bracing
- Adjustable S/S Over Plastic Bullet Feet



Options:

- Left Side or Right Side Units Available

| Part Number | Overall Dim. (l x w x h) | Pre-Rinse | Lever Drains |
|----------------------|--------------------------|---------------|--------------|
| BKSDT-3-1820-14-RS | 72" x 30 3/8" x 44" | - | - |
| BKSDT-3-1820-14-RSPG | 72" x 30 3/8" x 44" | BKF-SMPR-WB-G | (3) BK-LWR-1 |



PRODUCT DATA SHEET