

"FBLG" BUDGET STAINLESS STEEL TOP WORK TABLES

18GA Top w/Galvanized Legs & Adjustable Undershef

FEATURES:

- 18GA Stainless Steel Top
- Type 430 Stainless Steel With Satin Finish
- Top Is Sound Deadened
- Reinforced With 1"x2" Channel Running Entire Length Of Table
- 1-1/2" Stallion Edge On Front And Rear With Side Edges 90 Degree Bend Down For Table Line-Up
- Galvanized Base And Adjustable Undershef
- Adjustable Bullet Feet
- Shipped Knocked-Down, Easy-To-Assemble

SPECIFICATIONS:

- Top: Stainless Steel Tops Are TIG Welded, Exposed Welds Are Polished To Match Adjacent Surface
- Top: 18GA Stainless Steel Type 430 Stainless Steel With Satin Finish
- Shelf: 18GA Galvanized Steel
- Legs: 1-5/8" Round O.D. 16GA Tubular Galvanized Steel
- Gussets: Galvanized Steel
- Feet: 1" Adjustable Plastic Bullet Feet



FBLG4830

CERTIFICATIONS:

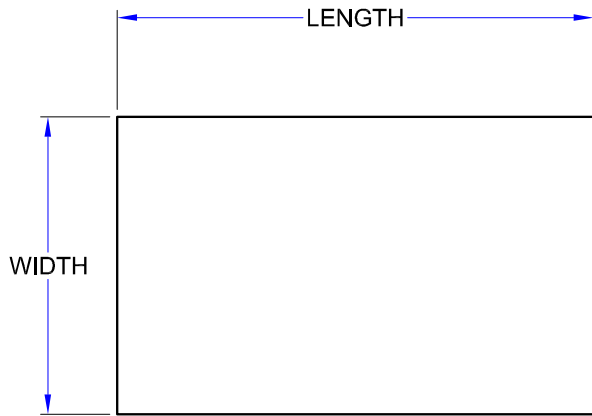


"FBLG" BUDGET STAINLESS STEEL TOP WORK TABLES

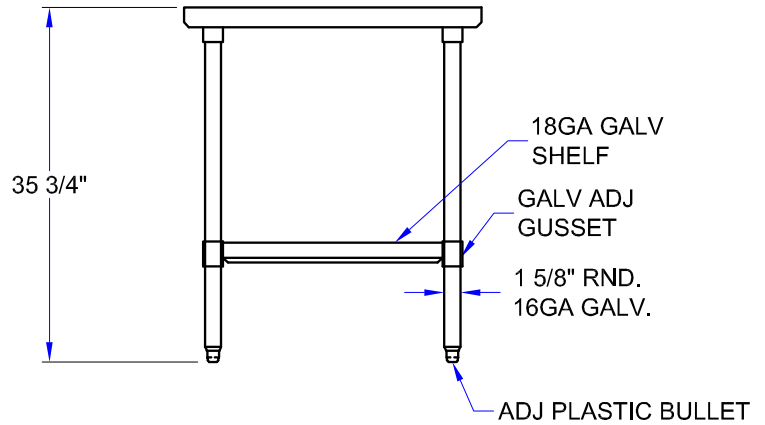
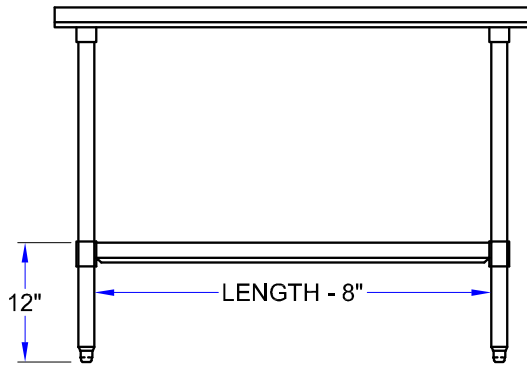
LENGTH	18" WIDE	WT (LBS)	24" WIDE	WT (LBS)	30" WIDE	WT (LBS)
24"	-	-	FBLG2424	44	-	-
30"	-	-	FBLG3024	48	FBLG3030	50
36"	FBLG3618	40	FBLG3624	50	FBLG3630	56
48"	FBLG4818	56	FBLG4824	64	FBLG4830	69
60"	FBLG6018	66	FBLG6024	71	FBLG6030	82
72"	FBLG7218	77	FBLG7224	83	FBLG7230	94
84"	-	-	FBLG8424	103	FBLG8430	116
96"	FBLG9618	98	FBLG9624	114	FBLG9630	128

ALL DIMENSIONS ARE TYPICAL. TOLERANCE +/- .500". JOHN BOOS & CO. RESERVES THE RIGHT TO CHANGE SPECIFICATIONS WITHOUT NOTICE.

DETAILED SPECIFICATIONS



Units 7 Ft. & Larger Are
Furnished With Six Legs
Shelf Length = Length Minus 4.875"
Shelf Width = Width Minus 4.25"



"FBLG" BUDGET STAINLESS STEEL TOP WORK TABLES

LENGTH	18" WIDE	WT (LBS)	24" WIDE	WT (LBS)	30" WIDE	WT (LBS)
24"	-	-	FBLG2424	44	-	-
30"	-	-	FBLG3024	48	FBLG3030	50
36"	FBLG3618	40	FBLG3624	50	FBLG3630	56
48"	FBLG4818	56	FBLG4824	64	FBLG4830	69
60"	FBLG6018	66	FBLG6024	71	FBLG6030	82
72"	FBLG7218	77	FBLG7224	83	FBLG7230	94
84"	-	-	FBLG8424	103	FBLG8430	116
96"	FBLG9618	98	FBLG9624	114	FBLG9630	128

ALL DIMENSIONS ARE TYPICAL. TOLERANCE +/- .500". JOHN BOOS & CO. RESERVES THE RIGHT TO CHANGE SPECIFICATIONS WITHOUT NOTICE.