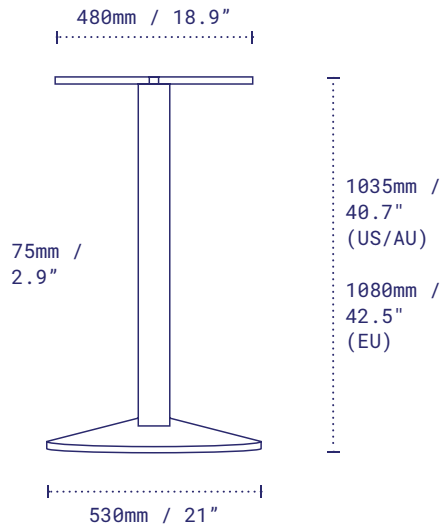


Sol 21 Bar



B21DISCNR-BAR : BAR HEIGHT



Sol is your go-to for maximising space. Our neat cone-shaped disc base allows for our self-stabilising technology to sit under the column, like our x-bases, and then run seamlessly flush to the ground at the feet.

Pictured: Sol 17 Dining Height, Sandstone Black.

DETAILS

Material	Steel – Zinc Phosphate Disc and Column, Alodine Top Plate
Next-Level Protection	Available on Request
Height excl. table top	1035mm / 40.7" Bar 1080mm / 42.5" Bar (EU only)
Base diameter	530mm / 21"
Column width	75mm - 2.9"
Top plate	Fixed
Net weight	11.4kg / 25.1lbs
Max recommended table top	○ 762mm / 30" □ 609mm / 24"
Resources	no-rock.com/product/sol

PACKAGING

Carton	550 x 550 x 100mm / 21.7 x 21.7 x 3.9" x Box 1 83 x 84 x 1040mm / 3.3 x 3.3 x 41.0" x Box 2
Gross weight	12.9kg / 28.4lbs

STANDARD COLOR RANGE

● Sandstone Black



NR MARKETING PTY LTD
NOROCK USA LLC

JULY 2024

All product information is correct at the time of printing but may be subject to change without notice. For the latest information please visit our website.