

Expanding Stem Casters

1" Stem Work Table Caster with Polyolefin Wheel

Certifications:



Features:

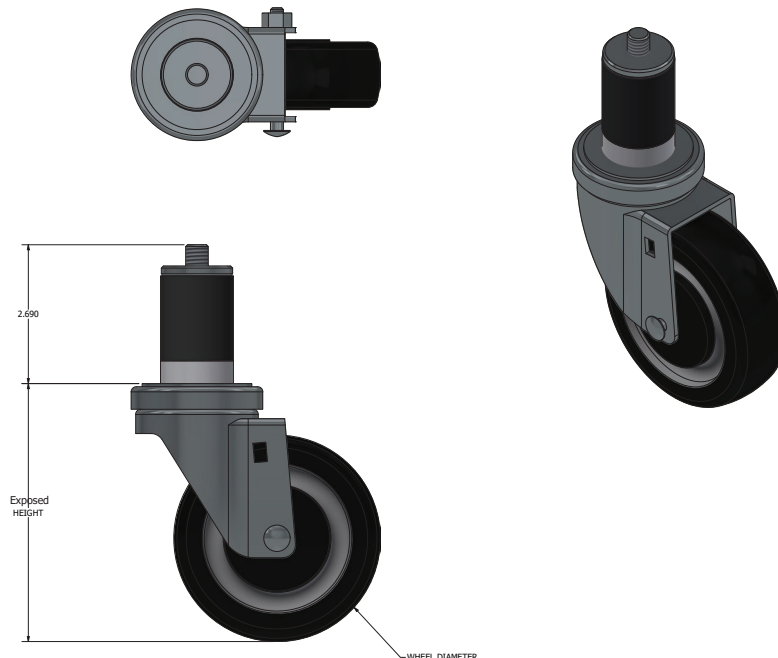
- Fits Standard 1" Tubing by Expanding the Stem Creating a Secure Fit
- Double Ball Bearing Raceway for Long Wear and Added Strength
- With or Without Top Lock Brake
- Raceway Dust Cover

Material:

- Injection Molded Polyolefin
- Non-Marking
- Temperature Range -45° to 180°F
- Highly Resistant to Chemicals and Solvents
- Zinc Plated
- Polyolefin Wheel



Part Number	Brake	Exposed Height	Wheel Size	Capacity
3SBR-1RA-LDP	-	4.125"	3"	300 LBS
3SBR-1RA-LDP-TLB	TLB	4.125"	3"	300 LBS
4SBR-1RA-LDP	-	5"	4"	300 LBS
4SBR-1RA-LDP-TLB	TLB	5"	4"	300 LBS
5SBR-1RA-LDP	-	6"	5"	300 LBS
5SBR-1RA-LDP-TLB	TLB	6"	5"	300 LBS



PRODUCT DATA SHEET

RESOURCES

